

Easy UPS 3S for External Batteries

10-40 kVA 400 V and 10-20 kVA 208 V 3:3

Installation

03/2020



Legal Information

The Schneider Electric brand and any trademarks of Schneider Electric SE and its subsidiaries referred to in this guide are the property of Schneider Electric SE or its subsidiaries. All other brands may be trademarks of their respective owners.

This guide and its content are protected under applicable copyright laws and furnished for informational use only. No part of this guide may be reproduced or transmitted in any form or by any means (electronic, mechanical, photocopying, recording, or otherwise), for any purpose, without the prior written permission of Schneider Electric.

Schneider Electric does not grant any right or license for commercial use of the guide or its content, except for a non-exclusive and personal license to consult it on an "as is" basis. Schneider Electric products and equipment should be installed, operated, serviced, and maintained only by qualified personnel.

As standards, specifications, and designs change from time to time, information contained in this guide may be subject to change without notice.

To the extent permitted by applicable law, no responsibility or liability is assumed by Schneider Electric and its subsidiaries for any errors or omissions in the informational content of this material or consequences arising out of or resulting from the use of the information contained herein.



Go to <http://www.productinfo.schneider-electric.com/portals/ui/easyups3s/> for translations.

Rendez-vous sur <http://www.productinfo.schneider-electric.com/portals/ui/easyups3s/> pour accéder aux traductions.

Vaya a <http://www.productinfo.schneider-electric.com/portals/ui/easyups3s/> para obtener las traducciones.

Gehe zu <http://www.productinfo.schneider-electric.com/portals/ui/easyups3s/> für Übersetzungen.

Vai a <http://www.productinfo.schneider-electric.com/portals/ui/easyups3s/> per le traduzioni.

Vá para <http://www.productinfo.schneider-electric.com/portals/ui/easyups3s/> para obter as traduções.

Перейдите по ссылке <http://www.productinfo.schneider-electric.com/portals/ui/easyups3s/> для просмотра переводов.

前往 <http://www.productinfo.schneider-electric.com/portals/ui/easyups3s/> 查看译文。

前往 <http://www.productinfo.schneider-electric.com/portals/ui/easyups3s/> 查看譯文。

Table of Contents

Important Safety Instructions — SAVE THESE INSTRUCTIONS	5
Electromagnetic Compatibility	6
Safety Precautions	6
Electrical Safety	8
Battery Safety	9
Specifications for 400 V Systems	11
Input Specifications – 3:3 UPSs	11
Bypass Specifications – 3:3 UPSs	11
Output Specifications – 3:3 UPSs	12
Battery Specifications	12
Required Upstream Protection and Cable Sizes – 3:3 UPSs	12
UPS Weights and Dimensions – 3:3 UPSs	14
UPS Shipping Weights and Dimensions – 3:3 UPSs	14
Specifications for 208 V Systems	15
Input Specifications – 3:3 UPSs	15
Bypass Specifications – 3:3 UPSs	15
Output Specifications – 3:3 UPSs	15
Battery Specifications	16
Required Upstream Protection and Cable Sizes – 3:3 UPSs	16
UPS Weights and Dimensions – 3:3 UPSs	17
UPS Shipping Weights and Dimensions – 3:3 UPSs	17
Specifications	18
Recommended Bolts and Cable Lugs	18
Torque Specifications	18
Clearance	19
Environmental	19
Overview	20
Overview of Single UPS	20
Overview of 1+1 Redundant Parallel System with Common Battery Bank	21
Overview of Parallel System	22
Receiving	23
Remove the UPS from the Pallet	23
Connect the Power Cables	26
Connect the Power Cables in the 10-15 kVA 400 V UPS	26
Connect the Power Cables in the 20-30 kVA 400 V / 10-15 kVA 208 V UPS	27
Connect the Power Cables in the 40 kVA 400 V / 20 kVA 208 V UPS	29
Communication Interfaces	31
Input Contacts and Output Relays	32
Connect the Signal Cables in Parallel Systems	33
Backfeed Protection	34

Important Safety Instructions — SAVE THESE INSTRUCTIONS

Read these instructions carefully and look at the equipment to become familiar with it before trying to install, operate, service or maintain it. The following safety messages may appear throughout this manual or on the equipment to warn of potential hazards or to call attention to information that clarifies or simplifies a procedure.



The addition of this symbol to a “Danger” or “Warning” safety message indicates that an electrical hazard exists which will result in personal injury if the instructions are not followed.



This is the safety alert symbol. It is used to alert you to potential personal injury hazards. Obey all safety messages with this symbol to avoid possible injury or death.

DANGER

DANGER indicates a hazardous situation which, if not avoided, **will result in death or serious injury.**

Failure to follow these instructions will result in death or serious injury.

WARNING

WARNING indicates a hazardous situation which, if not avoided, **could result in death or serious injury.**

Failure to follow these instructions can result in death, serious injury, or equipment damage.

CAUTION

CAUTION indicates a hazardous situation which, if not avoided, **could result in minor or moderate injury.**

Failure to follow these instructions can result in injury or equipment damage.

NOTICE

NOTICE is used to address practices not related to physical injury. The safety alert symbol shall not be used with this type of safety message.

Failure to follow these instructions can result in equipment damage.

Please Note

Electrical equipment should only be installed, operated, serviced, and maintained by qualified personnel. No responsibility is assumed by Schneider Electric for any consequences arising out of the use of this material.

A qualified person is one who has skills and knowledge related to the construction, installation, and operation of electrical equipment and has received safety training to recognize and avoid the hazards involved.

Electromagnetic Compatibility

NOTICE

RISK OF ELECTROMAGNETIC DISTURBANCE

This is a product Category C3 according to IEC 62040-2. This is a product for commercial and industrial applications in the second environment - installation restrictions or additional measures may be needed to prevent disturbances. The second environment includes all commercial, light industry, and industrial locations other than residential, commercial, and light industrial premises directly connected without intermediate transformer to a public low-voltage mains supply. The installation and cabling must follow the electromagnetic compatibility rules, e.g.:

- the segregation of cables,
- the use of shielded or special cables when relevant,
- the use of grounded metallic cable tray and supports.

Failure to follow these instructions can result in equipment damage.

Safety Precautions

⚠ DANGER

HAZARD OF ELECTRIC SHOCK, EXPLOSION, OR ARC FLASH

All safety instructions in this document must be read, understood and followed.

Failure to follow these instructions will result in death or serious injury.

⚠ DANGER

HAZARD OF ELECTRIC SHOCK, EXPLOSION, OR ARC FLASH

Read all instructions in the Installation Manual before installing or working on this UPS system.

Failure to follow these instructions will result in death or serious injury.

⚠ DANGER

HAZARD OF ELECTRIC SHOCK, EXPLOSION, OR ARC FLASH

Do not install the UPS system until all construction work has been completed and the installation room has been cleaned.

Failure to follow these instructions will result in death or serious injury.

⚠ DANGER

HAZARD OF ELECTRIC SHOCK, EXPLOSION, OR ARC FLASH

- The product must be installed according to the specifications and requirements as defined by Schneider Electric. It concerns in particular the external and internal protections (upstream breakers, battery breakers, cabling, etc.) and environmental requirements. No responsibility is assumed by Schneider Electric if these requirements are not respected.
- After the UPS system has been electrically wired, do not start up the system. Start-up must only be performed by Schneider Electric.

Failure to follow these instructions will result in death or serious injury.

⚠ DANGER

HAZARD OF ELECTRIC SHOCK, EXPLOSION, OR ARC FLASH

The UPS system must be installed according to local and national regulations. Install the UPS according to:

- IEC 60364 (including 60364-4-41 - protection against electric shock, 60364-4-42 - protection against thermal effect, and 60364-4-43 - protection against overcurrent), or
- NEC NFPA 70, or
- Canadian Electrical Code (C22.1, Part 1)

depending on which one of the standards apply in your local area.

Failure to follow these instructions will result in death or serious injury.

⚠ DANGER

HAZARD OF ELECTRIC SHOCK, EXPLOSION, OR ARC FLASH

- Install the UPS system in a temperature controlled indoor environment free of conductive contaminants and humidity.
- Install the UPS system on a non-flammable, level and solid surface (e.g. concrete) that can support the weight of the system.

Failure to follow these instructions will result in death or serious injury.

⚠ DANGER

HAZARD OF ELECTRIC SHOCK, EXPLOSION, OR ARC FLASH

The UPS is not designed for and must therefore not be installed in the following unusual operating environments:

- Damaging fumes
- Explosive mixtures of dust or gases, corrosive gases, or conductive or radiant heat from other sources
- Moisture, abrasive dust, steam or in an excessively damp environment
- Fungus, insects, vermin
- Salt-laden air or contaminated cooling refrigerant
- Pollution degree higher than 2 according to IEC 60664-1
- Exposure to abnormal vibrations, shocks, and tilting
- Exposure to direct sunlight, heat sources, or strong electromagnetic fields

Failure to follow these instructions will result in death or serious injury.

⚠ DANGER

HAZARD OF ELECTRIC SHOCK, EXPLOSION, OR ARC FLASH

Do not drill or cut holes for cables or conduits with the gland plates installed and do not drill or cut holes in close proximity to the UPS.

Failure to follow these instructions will result in death or serious injury.

⚠ WARNING

HAZARD OF ARC FLASH

Do not make mechanical changes to the product (including removal of cabinet parts or drilling/cutting of holes) that are not described in the Installation Manual.

Failure to follow these instructions can result in death, serious injury, or equipment damage.

NOTICE**RISK OF OVERHEATING**

Respect the space requirements around the UPS system and do not cover the product's ventilation openings when the UPS system is in operation.

Failure to follow these instructions can result in equipment damage.

NOTICE**RISK OF EQUIPMENT DAMAGE**

The UPS must use an external regenerative braking kit to dissipate energy when connected to regenerative loads including photovoltaic systems and speed drives.

Failure to follow these instructions can result in equipment damage.

Electrical Safety**⚠ DANGER****HAZARD OF ELECTRIC SHOCK, EXPLOSION OR ARC FLASH**

- Electrical equipment must be installed, operated, serviced, and maintained only by qualified personnel.
- The UPS system must be installed in a room with restricted access (qualified personnel only).
- Apply appropriate personal protective equipment (PPE) and follow safe electrical work practices.
- Turn off all power supplying the UPS system before working on or inside the equipment.
- Before working on the UPS system, check for hazardous voltage between all terminals including the protective earth.
- The UPS contains an internal energy source. Hazardous voltage can be present even when disconnected from the utility/mains supply. Before installing or servicing the UPS system, ensure that the units are OFF and that utility/mains and batteries are disconnected. Wait five minutes before opening the UPS to allow the capacitors to discharge.
- A disconnection device (e.g. disconnection circuit breaker or switch) must be installed to enable isolation of the system from upstream power sources in accordance with local regulations. This disconnection device must be easily accessible and visible.
- The UPS must be properly earthed/grounded and due to a high leakage current, the earthing/grounding conductor must be connected first.

Failure to follow these instructions will result in death or serious injury.

⚠ DANGER**HAZARD OF ELECTRIC SHOCK, EXPLOSION, OR ARC FLASH**

In systems where backfeed protection is not part of the standard design, an automatic isolation device (backfeed protection option or other device meeting the requirements of IEC/EN 62040-1 or UL1778 5th Edition – depending on which of the two standards apply to your local area) must be installed to prevent hazardous voltage or energy at the input terminals of the isolation device. The device must open within 15 seconds after the upstream power supply fails and must be rated according to the specifications.

Failure to follow these instructions will result in death or serious injury.

When the UPS input is connected through external isolators that, when opened, isolate the neutral or when the automatic backfeed isolation is provided external to the equipment or is connected to an IT power distribution system, a label must be fitted at the UPS input terminals, and on all primary power isolators installed remote from the UPS area and on external access points between such isolators and the UPS, by the user, displaying the following text (or equivalent in a language which is acceptable in the country in which the UPS system is installed):

⚠ DANGER

HAZARD OF ELECTRIC SHOCK, EXPLOSION, OR ARC FLASH

Risk of Voltage Backfeed. Before working on this circuit: Isolate the UPS and check for hazardous voltage between all terminals including the protective earth.

Failure to follow these instructions will result in death or serious injury.

Battery Safety

⚠⚠ DANGER

HAZARD OF ELECTRIC SHOCK, EXPLOSION, OR ARC FLASH

- Battery circuit breakers must be installed according to the specifications and requirements as defined by Schneider Electric.
- Servicing of batteries must only be performed or supervised by qualified personnel knowledgeable of batteries and the required precautions. Keep unqualified personnel away from batteries.
- Disconnect charging source prior to connecting or disconnecting battery terminals.
- Do not dispose of batteries in a fire as they can explode.
- Do not open, alter, or mutilate batteries. Released electrolyte is harmful to the skin and eyes. It may be toxic.

Failure to follow these instructions will result in death or serious injury.

⚠⚠ DANGER

HAZARD OF ELECTRIC SHOCK, EXPLOSION, OR ARC FLASH

Batteries can present a risk of electric shock and high short-circuit current. The following precautions must be observed when working on batteries

- Remove watches, rings, or other metal objects.
- Use tools with insulated handles.
- Wear protective glasses, gloves and boots.
- Do not lay tools or metal parts on top of batteries.
- Disconnect the charging source prior to connecting or disconnecting battery terminals.
- Determine if the battery is inadvertently grounded. If inadvertently grounded, remove source from ground. Contact with any part of a grounded battery can result in electric shock. The likelihood of such shock can be reduced if such grounds are removed during installation and maintenance (applicable to equipment and remote battery supplies not having a grounded supply circuit).

Failure to follow these instructions will result in death or serious injury.

 **DANGER****HAZARD OF ELECTRIC SHOCK, EXPLOSION, OR ARC FLASH**

When replacing batteries, always replace with the same type and number of batteries or battery packs.

Failure to follow these instructions will result in death or serious injury.

NOTICE**RISK OF EQUIPMENT DAMAGE**

- Wait until the system is ready to be powered up before installing batteries in the system. The time duration from battery installation until the UPS system is powered up must not exceed 72 hours or 3 days.
- Batteries must not be stored more than six months due to the requirement of recharging. If the UPS system remains de-energized for a long period, Schneider Electric recommends that you energize the UPS system for a period of 24 hours at least once every month. This charges the batteries, thus avoiding irreversible damage.

Failure to follow these instructions can result in equipment damage.

Specifications for 400 V Systems

Input Specifications – 3:3 UPSs

	10 kVA			15 kVA			20 kVA			30 kVA			40 kVA		
Voltage (V)	380	400	415	380	400	415	380	400	415	380	400	415	380	400	415
Connections	L1, L2, L3, N, PE														
Input voltage range (V)	304–477														
Frequency range (Hz)	45–65														
Nominal input current (A)	16	15	15	24	23	22	32	31	30	48	46	44	65	61	59
Maximum input current (A)	19	18	18	29	28	26	38	37	36	58	55	53	78	73	71
Input current limitation (A)	22	20	20	33	31	30	44	42	41	65	63	60	89	83	80
Total harmonic distortion (THDI)	<3% for 10 kVA UPS <4% for 15–40 kVA UPS														
Input power factor	> 0.99														
Maximum input shortcircuit withstand	Icc=10 kA														
Protection	Circuit breaker and fuse									Switch and fuse					
Ramp-in	15 seconds														

Bypass Specifications – 3:3 UPSs

	10 kVA			15 kVA			20 kVA			30 kVA			40 kVA		
Voltage (V)	380	400	415	380	400	415	380	400	415	380	400	415	380	400	415
Connections	L1, L2, L3, N, PE														
Overload capacity	125% continuous 125–130% for 10 minutes 130–150% for 1 minute >150% for 300 milliseconds														
Minimum bypass voltage (V)	304	320	332	304	320	332	304	320	332	304	320	332	304	320	332
Maximum bypass voltage (V)	437	460	477	437	460	477	437	460	477	437	460	477	437	460	477
Frequency (Hz)	50 or 60														
Nominal bypass current (A)	15	14	14	23	22	21	30	29	28	46	43	42	61	58	56
Maximum input short circuit withstand	Icc=10 kA														

Output Specifications – 3:3 UPSs

	10 kVA			15 kVA			20 kVA			30 kVA			40 kVA		
Voltage (V)	380	400	415	380	400	415	380	400	415	380	400	415	380	400	415
Connections	L1, L2, L3, N, PE														
Overload capacity	110% for 60 minutes 125% for 10 minutes 150% for 1 minute >150% for less than 200 milliseconds														
Output voltage tolerance	± 1%														
Dynamic load response	40 milliseconds														
Output power factor	1.0						1.0 ¹								
Nominal output current (A)	15	14	14	23	22	21	30	29	28	46	43	42	61	58	56
Total harmonic distortion (THDU)	<3% at 100% linear load <5.5% at 100% non-linear load														
Output frequency (Hz)	50 or 60														
Slew rate (Hz/sec)	Programmable: 0.1 to 5.0. Default is 2.0.														
Output performance classification (according to EN62040-3)	VFI-SS-111														

Battery Specifications

	10 kVA		15 kVA		20 kVA		30 kVA		40 kVA	
Charging power	Programmable from 1% to 20% of UPS capacity. Default is 10%.									
Maximum charging power (W)	2000		3000		4000		6000		8000	
Nominal battery voltage (16–20 blocks) (VDC)	±192 to ± 240									
Nominal float voltage (16–20 blocks) (VDC)	± 216 to ± 270									
End of discharge voltage (16–20 blocks) (full load) (VDC)	± 153 to ± 192									
End of discharge voltage (16–20 blocks) (no load) (VDC)	± 168 to ± 210									
Battery current at full load and nominal battery voltage (16–20 blocks) (A)	28–22		42–33		55–44		83–66		111–89	
Battery current at full load and minimum battery voltage (16–20 blocks) (A)	34–27		50–40		67–54		101–81		134–107	
Temperature compensation (per cell)	Programmable from 0–5 mV. Default is 3 mV.									
Ripple current	< 5% C10									

Required Upstream Protection and Cable Sizes – 3:3 UPSs

NOTE: Overcurrent protection must be provided by others.

1. When ambient temperature is below 30 °C. When the ambient temperature is above 30 °C, the power factor is 0.9.

Cable sizes in this manual are based on:

- Single core cables type U1000 R02V
- Specific to AC cables: Maximum length 70 m with a line voltage drop <3% installed on perforated cable trays, XLPE-type insulation, single layer trefoil formation, THDI between 15% and 33%, 35 °C at 400 V grouped in four touching cables
- Specific to DC cables: Maximum length 15 m with a line voltage drop <1%

NOTE: If neutral conductor is expected to carry a high current, due to line-neutral non-linear load, the circuit breaker must be rated according to expected neutral current.

10 kVA UPS

	Breaker type	Cable Size per Phase (mm ²)	PE Cable Size (mm ²)
Input – single mains Input – dual mains	iC65H-C-20A / C60H-C-20A iC65H-C-20A / C60H-C-20A	6	6
Bypass	iC65H-C-20A / C60H-C-20A	6	6
Output	C65N-B-4P-10A/C60N-B-4P-10A/ C65N-B-4P-10A /C60N-C-4P-6A	6	6
Battery	Compact NSX100F DC TM50D - 3P	8	6

15 kVA UPS

	Breaker type	Cable Size per Phase (mm ²)	PE Cable Size (mm ²)
Input – single mains Input – dual mains	iC65H-C-32A / C60H-C-32A iC65H-C-32A / C60H-C-32A	6	6
Bypass	iC65H-C-32A / C60H-C-32A	6	6
Output	C65N-B-4P-10A/C60N-B-4P-10A/ C65N-B-4P-10A /C60N-C-4P-6A	6	6
Battery	Compact NSX100F DC TM63D - 3P	8	6

20 kVA UPS

	Breaker type	Cable Size per Phase (mm ²)	PE Cable Size (mm ²)
Input – single mains Input – dual mains	iC65H-C-40A / C60H-C-40A iC65H-C-40A / C60H-C-40A	10	10
Bypass	iC65H-C-40A / C60H-C-40A	10	10
Output	C65N-B-4P-10A/C60N-B-4P-10A/ C65N-B-4P-10A /C60N-C-4P-6A	10	10
Battery	Compact NSX100F DC TM80D - 3P	25	10

30 kVA UPS

	Breaker type	Cable Size per Phase (mm ²)	PE Cable Size (mm ²)
Input – single mains Input – dual mains	iC65H-C-63A / C60H-C-63A /C120H-C-63A iC65H-C-63A / C60H-C-63A /C120H-C-63A	16	16
Bypass	iC65H-C-63A / C60H-C-63A /C120H-C-63A	16	16
Output	C65N-B-4P-16A/C60N-B-4P-16A/ C65N-C-4P-10A /C60N-C-4P-10A	16	16
Battery	Compact NSX160F DC TM125D - 3P	25	16

40 kVA UPS

	Breaker type	Cable Size per Phase (mm ²)	PE Cable Size (mm ²)
Input – single mains Input – dual mains	C120H-C-80A / NSX100F TM80C 80A C120H-C-80A / NSX100F TM80C 80A	25	16
Bypass	C120H-C-80A / NSX100F TM80C 80A	25	16
Output	C65N-B-4P-20A/C60N-B-4P-20A/ C65N-C-4P-10A /C60N-C-4P-10A	25	16
Battery	Compact NSX160F DC TM160D - 3P	35	16

UPS Weights and Dimensions – 3:3 UPSs

UPS	Weight kg	Height mm	Width mm	Depth mm
10 kVA UPS for external batteries	36	530	250	700
15 kVA UPS for external batteries	36	530	250	700
20 kVA UPS for external batteries	58	770	250	800
30 kVA UPS for external batteries	60	770	250	800
40 kVA UPS for external batteries	70	770	250	900

UPS Shipping Weights and Dimensions – 3:3 UPSs

UPS	Weight kg	Height mm	Width mm	Depth mm
10 kVA UPS for external batteries	50	772	400	857
15 kVA UPS for external batteries	50	772	400	857
20 kVA UPS for external batteries	75	1015	400	982
30 kVA UPS for external batteries	77	1015	400	982
40 kVA UPS for external batteries	86	1015	400	1050

Specifications for 208 V Systems

Input Specifications – 3:3 UPSs

	10 kVA			15 kVA			20 kVA		
Voltage (V)	200	208	220	200	208	220	200	208	220
Connections	L1, L2, L3, N, PE								
Input voltage range (V)	180-253								
Frequency range (Hz)	45-65								
Nominal input current (A)	32	31	29	48	46	43	63	61	58
Maximum input current (A)	36	34	32	53	51	49	70	68	65
Input current limitation (A)	42	40	38	63	60	57	83	80	76
Total harmonic distortion (THDI)	<4%								
Input power factor	> 0.99								
Maximum input shortcircuit withstand	Icc=10 kA								
Protection	Circuit breaker and fuse			Switch and fuse					
Ramp-in	15 seconds								

Bypass Specifications – 3:3 UPSs

	10 kVA			15 kVA			20 kVA		
Voltage (V)	200	208	220	200	208	220	200	208	220
Connections	L1, L2, L3, N, PE								
Overload capacity	110% continuous 110-120% for 10 minutes 120-135% for 1 minute >135% for 300 milliseconds								
Minimum bypass voltage (V)	180	187	198	180	187	198	180	187	198
Maximum bypass voltage (V)	230	240	253	230	240	253	230	240	253
Frequency (Hz)	50 or 60								
Nominal bypass current (A)	29	28	27	44	42	40	58	56	53
Maximum input short circuit withstand	Icc=10 kA								

Output Specifications – 3:3 UPSs

	10 kVA			15 kVA			20 kVA		
Voltage (V)	200	208	220	200	208	220	200	208	220
Connections	L1, L2, L3, N, PE								
Overload capacity	110% for 60 minutes 125% for 10 minutes 150% for 1 minute >150% for less than 200 milliseconds								
Output voltage tolerance	± 1%								
Dynamic load response	40 milliseconds								
Output power factor	1.0								

Voltage (V)	10 kVA			15 kVA			20 kVA		
	200	208	220	200	208	220	200	208	220
Nominal output current (A)	29	28	27	44	42	40	58	56	53
Total harmonic distortion (THDU)	<2% at 100% linear load <6% at 100% non-linear load								
Output frequency (Hz)	50 or 60								
Slew rate (Hz/sec)	Programmable: 0.1 to 5.0. Default is 2.0.								
Output performance classification (according to EN62040-3)	VFI-SS-111								

Battery Specifications

	10 kVA	15 kVA	20 kVA
Charging power	Programmable from 1% to 20% of UPS capacity. Default is 10%.		
Maximum charging power (W)	2000	3000	4000
Nominal battery voltage (10 blocks) (VDC)	±120		
Nominal float voltage (10 blocks) (VDC)	± 135		
End of discharge voltage (10 blocks) (full load) (VDC)	± 96		
End of discharge voltage (10 blocks) (no load) (VDC)	± 105		
Battery current at full load and nominal battery voltage (10 blocks) (A)	46	68	92
Battery current at full load and minimum battery voltage (10 blocks) (A)	56	83	111
Temperature compensation (per cell)	Programmable from 0–5 mV. Default is 3 mV.		
Ripple current	< 5% C10		

Required Upstream Protection and Cable Sizes – 3:3 UPSs

NOTE: Overcurrent protection must be provided by others.

Cable sizes in this manual are based on:

- Single core cables type U1000 R02V
- Specific to AC cables: Maximum length 70 m with a line voltage drop <3% installed on perforated cable trays, XLPE-type insulation, single layer trefoil formation, THDI between 15% and 33%, 35 °C at 208 V grouped in four touching cables
- Specific to DC cables: Maximum length 15 m with a line voltage drop <1%

NOTE: If neutral conductor is expected to carry a high current, due to line-neutral non-linear load, the circuit breaker must be rated according to expected neutral current.

10 kVA UPS

	Breaker type	Cable Size per Phase (mm ²)	PE Cable Size (mm ²)
Input – single mains Input – dual mains	iC65H-C-40A / C60H-C-40A iC65H-C-40A / C60H-C-40A	10	10
Bypass	iC65H-C-40A / C60H-C-40A	10	10
Output	C65N-B-4P-10A/C60N-B-4P-10A/ C65N-B-4P-10A /C60N-C-4P-6A	10	10
Battery	Compact NSX100F DC TM80D - 3P	25	10

15 kVA UPS

	Breaker type	Cable Size per Phase (mm²)	PE Cable Size (mm²)
Input – single mains Input – dual mains	iC65H-C-63A / C60H-C-63A /C120H-C-63A iC65H-C-63A / C60H-C-63A /C120H-C-63A	16	16
Bypass	iC65H-C-63A / C60H-C-63A /C120H-C-63A	16	16
Output	C65N-B-4P-16A/C60N-B-4P-16A/ C65N-C-4P-10A /C60N-C-4P-10A	16	16
Battery	Compact NSX160F DC TM125D - 3P	25	16

20 kVA UPS

	Breaker type	Cable Size per Phase (mm²)	PE Cable Size (mm²)
Input – single mains Input – dual mains	C120H-C-80A / NSX100F TM80C 80A C120H-C-80A / NSX100F TM80C 80A	25	16
Bypass	C120H-C-80A / NSX100F TM80C 80A	25	16
Output	C65N-B-4P-20A/C60N-B-4P-20A/ C65N-C-4P-10A /C60N-C-4P-10A	25	16
Battery	Compact NSX160F DC TM160D - 3P	35	16

UPS Weights and Dimensions – 3:3 UPSs

UPS	Weight kg	Height mm	Width mm	Depth mm
10 kVA UPS for external batteries	58	770	250	800
15 kVA UPS for external batteries	60	770	250	800
20 kVA UPS for external batteries	70	770	250	900

UPS Shipping Weights and Dimensions – 3:3 UPSs

UPS	Weight kg	Height mm	Width mm	Depth mm
10 kVA UPS for external batteries	75	1015	400	982
15 kVA UPS for external batteries	77	1015	400	982
20 kVA UPS for external batteries	86	1015	400	1050

Specifications

Recommended Bolts and Cable Lugs

Cable Size (mm ²)	Bolt Size	Cable Lug Type
6	M5	KST TLK6-5
8	M5	KST RNBS8-5
10	M6	KST TLK10-6
16	M6	KST TLK16-6
25	M6	KST DRNB6-25
35	M6	KST TLK35-6
50	M8	KST TLK50-8

Torque Specifications

Bolt Size	Torque
M5	4 Nm
M6	5 Nm
M8	12 Nm

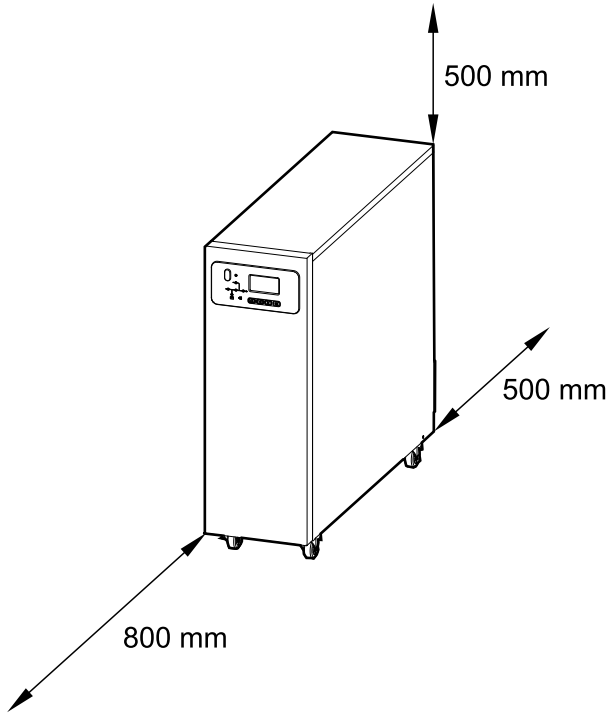
Clearance

NOTE: Clearance dimensions are published for airflow and service access only. Consult with the local safety codes and standards for additional requirements in your local area.

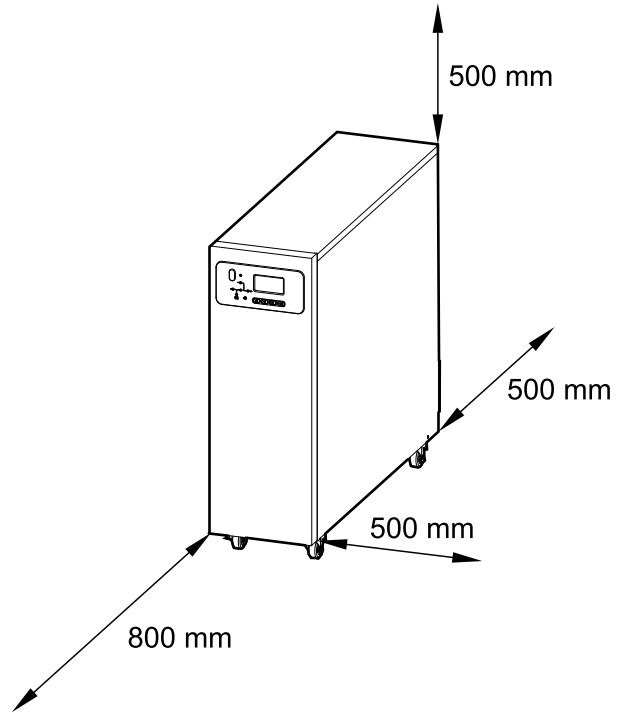
NOTE: If the UPS is installed without side access, the length of the cables connected to the UPS must allow for rolling out the UPS.

UPS for External Batteries

Option A



Option B

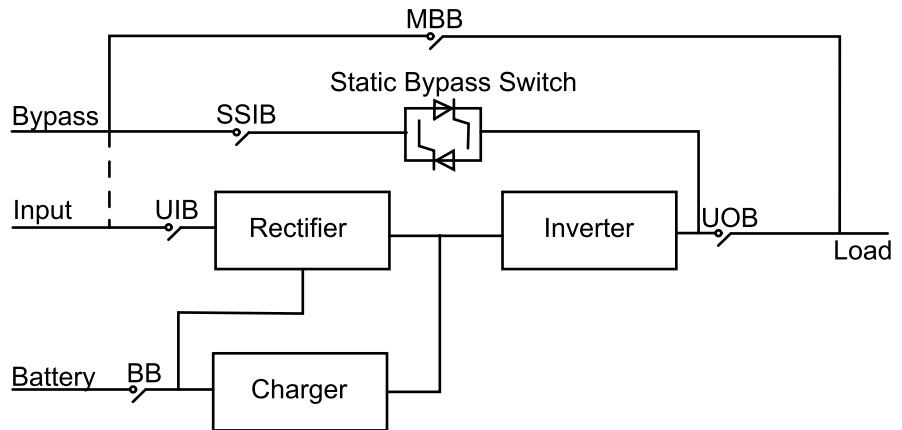


Environmental

	Operation	Storage
Temperature	0 °C to 40 °C	-15 °C to 40 °C for systems with batteries -25 °C to 55 °C for systems without batteries
Relative humidity	0–95% non-condensing	
Elevation derating according to IEC 62040–3	1000 m: 1.000 1500 m: 0.975 2000 m: 0.950	< 15000 m above sea level (or in an environment with equivalent air pressure)
Audible noise	10–20 kVA 400 V: <60 dBA at full load 30–40 kVA 400 V: <63 dBA at full load 10–20 kVA 208 V: <63 dBA at full load	
Protection class	IP20 (dust filter as standard)	
Color	RAL 9003	

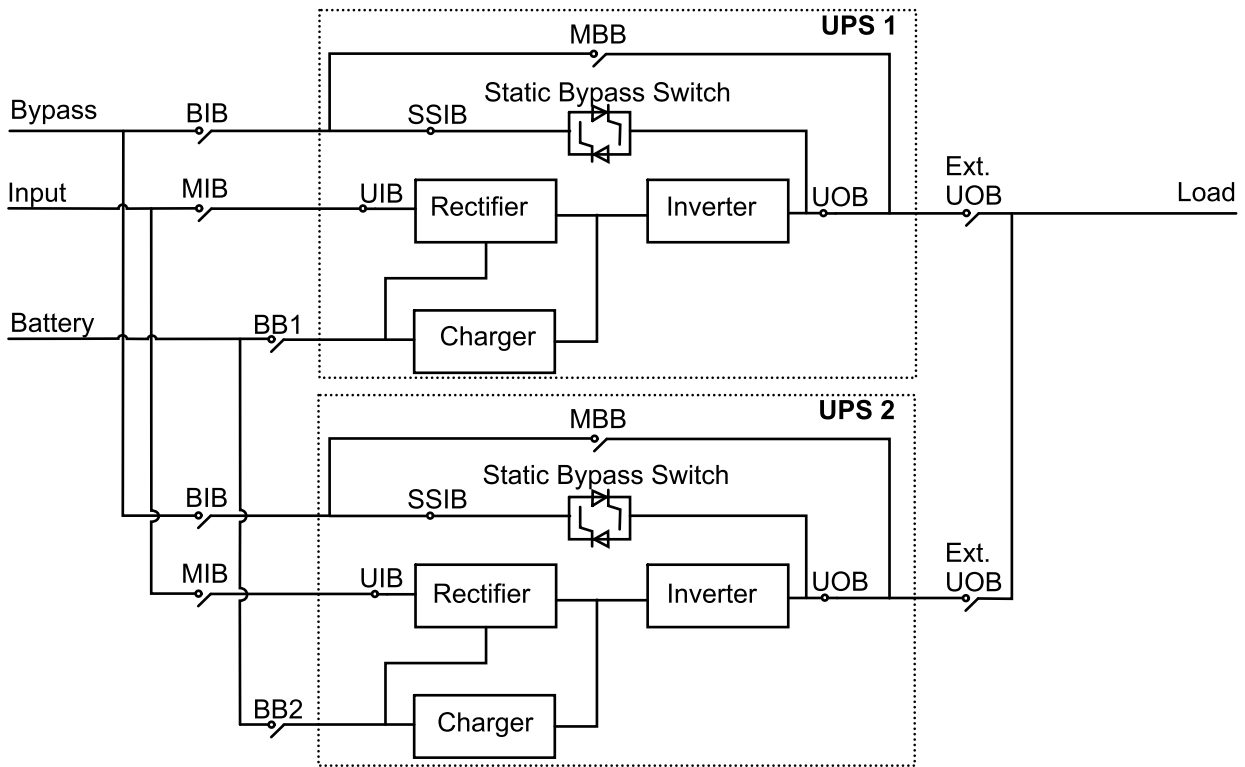
Overview

Overview of Single UPS



UIB	Unit input breaker
SSIB	Static switch input breaker
UOB	Unit output breaker
MBB	Maintenance bypass breaker
BB	Battery breaker

Overview of 1+1 Redundant Parallel System with Common Battery Bank

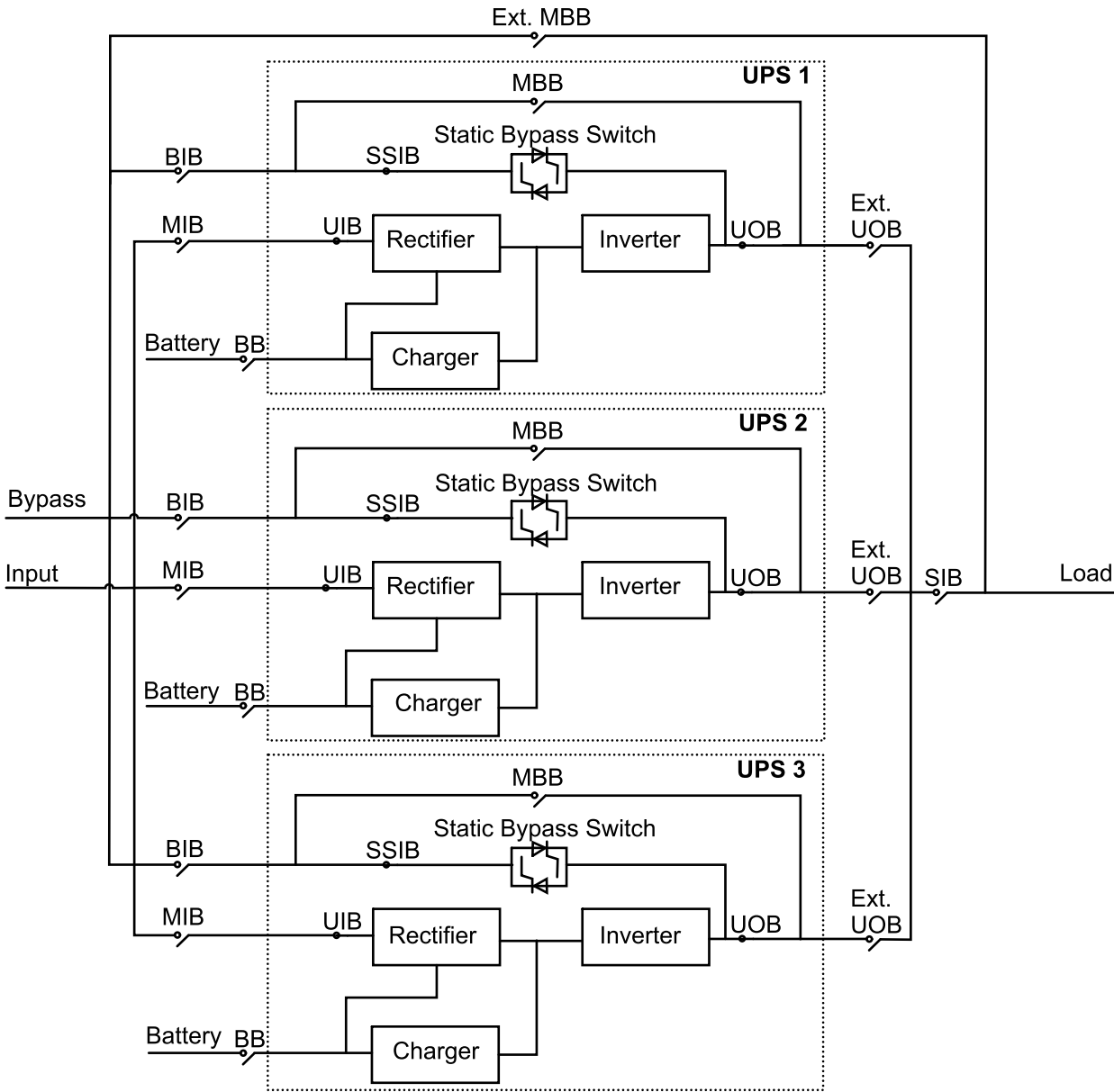


MIB	Mains input breaker
BIB	Bypass input breaker
UIB	Unit input breaker
SSIB	Static switch input breaker
UOB	Unit output breaker
Ext. UOB	External unit output breaker
MBB	Maintenance bypass breaker
Ext. MBB	External maintenance bypass breaker
BB1	Battery breaker 1
BB2	Battery breaker 2

Overview of Parallel System

NOTE: In parallel systems with an external maintenance bypass breaker Ext. MBB, the maintenance bypass breakers MBB must be padlocked in the open position.

UPSs for External Batteries



MIB	Mains input breaker
BIB	Bypass input breaker
UIB	Unit input breaker
SSIB	Static switch input breaker
UOB	Unit output breaker
Ext. UOB	External unit output breaker
MBB	Maintenance bypass breaker
Ext. MBB	External maintenance bypass breaker
SIB	System isolation breaker
BB	Battery breaker

Receiving

External Inspection

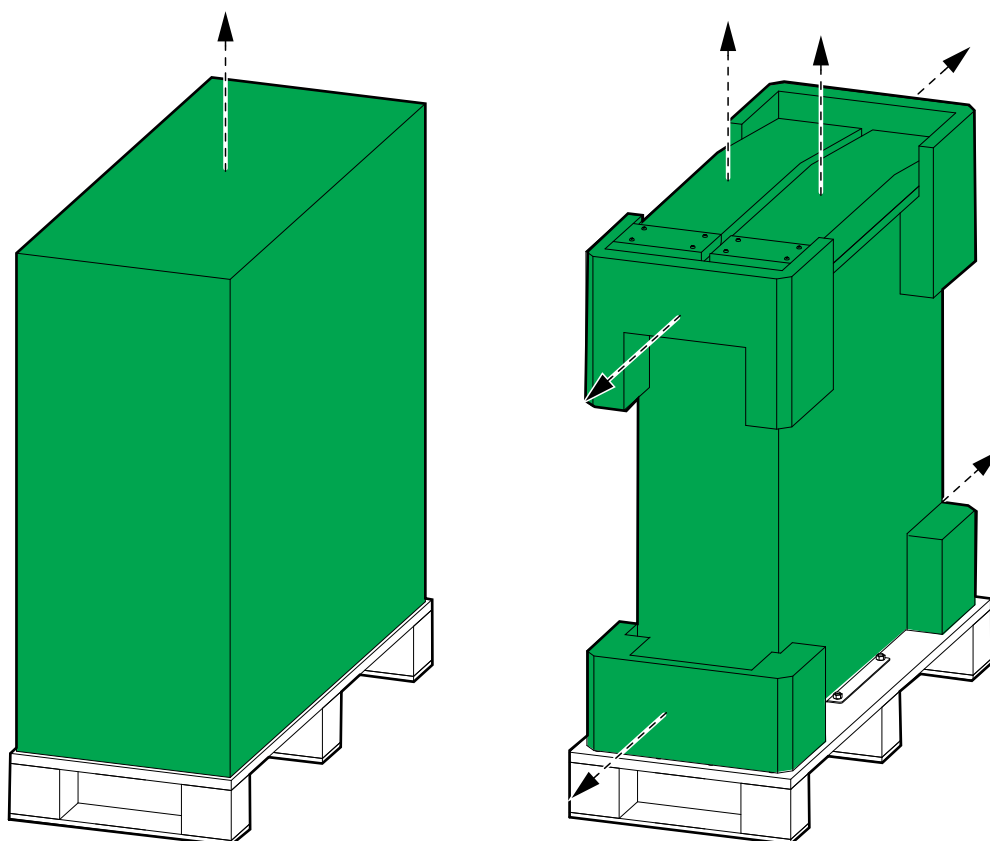
When the shipment arrives, inspect the shipping material for any signs of damage or mishandling. Do not attempt to install the system if a damage is apparent. If any damage is noted, contact Schneider Electric and file a damage claim with the shipping agency within 24 hours.

Compare the components of the shipment with the bill of lading. Report any missing items to the carrier and to Schneider Electric immediately.

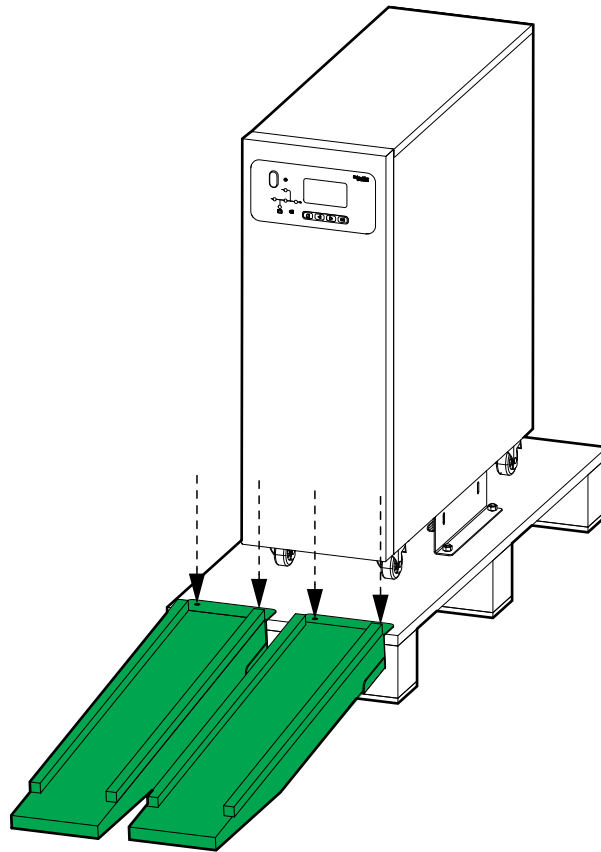
Verify that labelled units match the order confirmation.

Remove the UPS from the Pallet

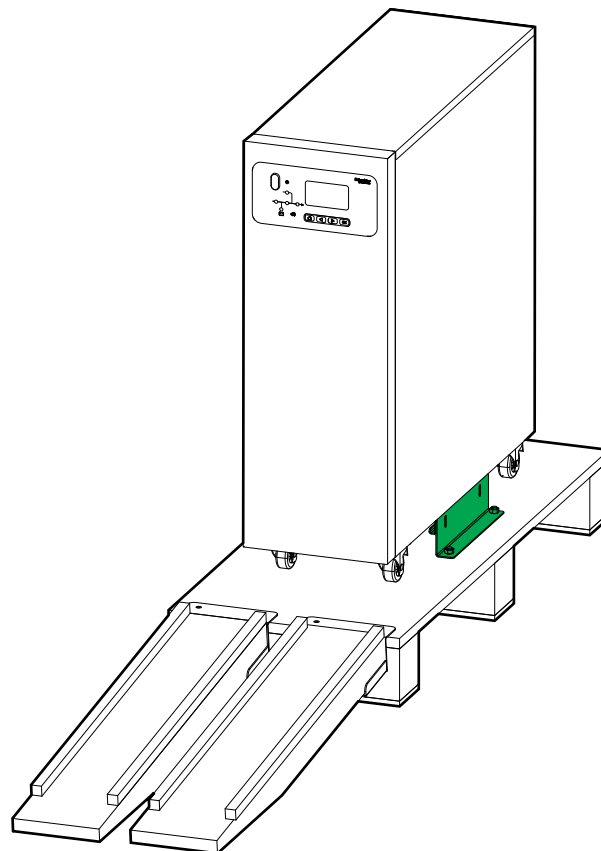
1. Move the UPS to the final installation area using a forklift.
2. Remove the shipping materials and the ramp from the UPS.



3. Place the ramp on the pallet and fasten with the provided bolts.

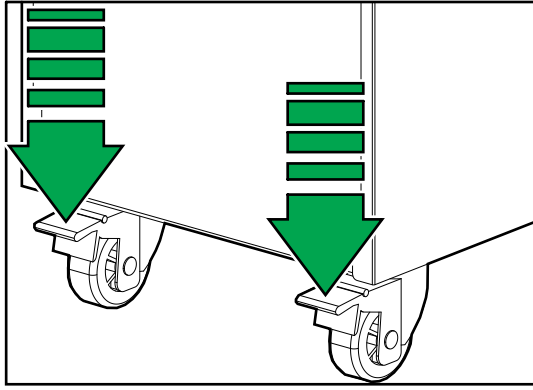


4. Loosen the bolts and remove the shipping brackets. Dispose of the shipping brackets.



5. Roll the UPS down from the pallet.

6. Move the UPS to its final location and lock the wheels.

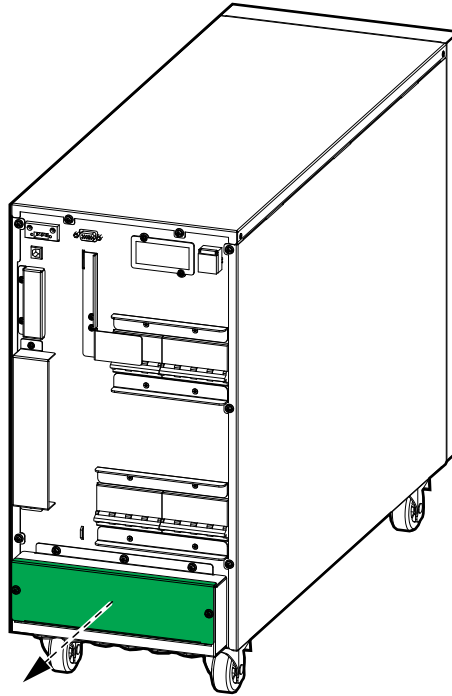


Connect the Power Cables

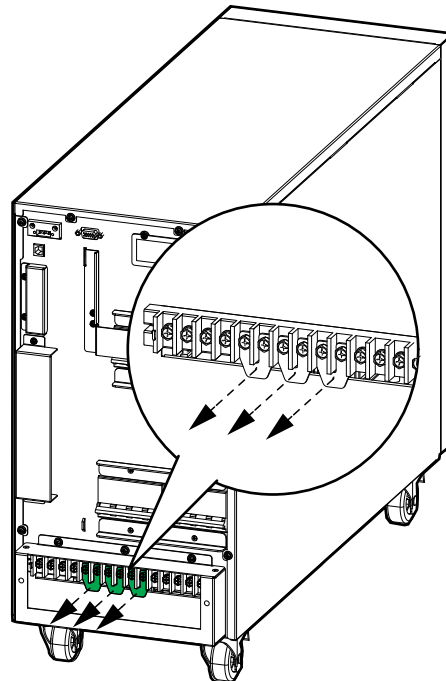
Connect the Power Cables in the 10-15 kVA 400 V UPS

1. Ensure that all breakers are in the OFF (open) position.
2. Remove the conduit box cover.

Rear View

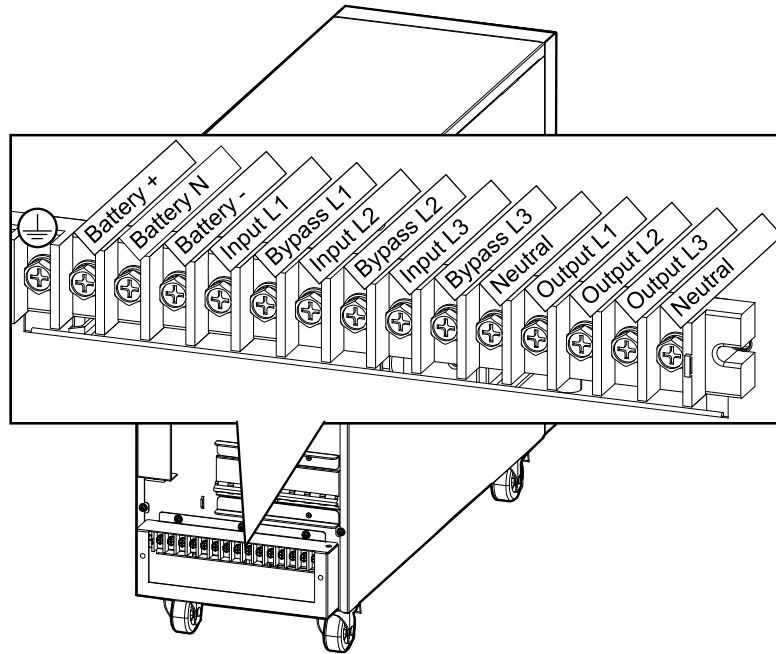


3. In dual mains systems, remove the three single mains brackets.



4. Route the power cables through the bottom of the conduit box.

5. Connect the PE cable to the PE terminal.

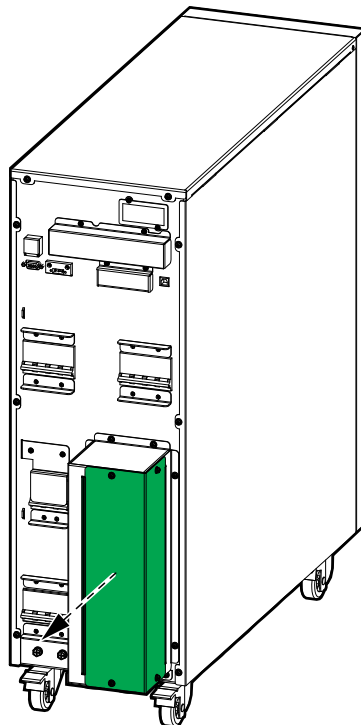


6. Connect the input, output, and bypass (if applicable) cables.
7. Connect the battery cables.
8. Reinstall the conduit box cover.

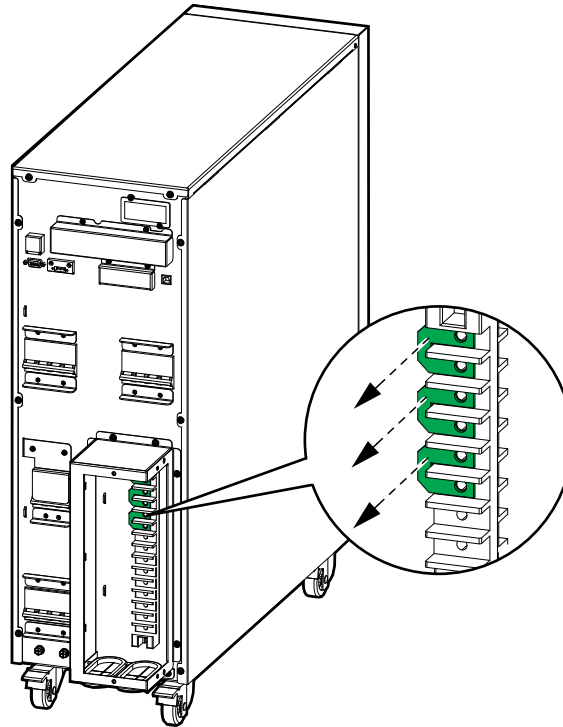
Connect the Power Cables in the 20-30 kVA 400 V / 10-15 kVA 208 V UPS

1. Ensure that all breakers are in the OFF (open) position.
2. Remove the conduit box cover.

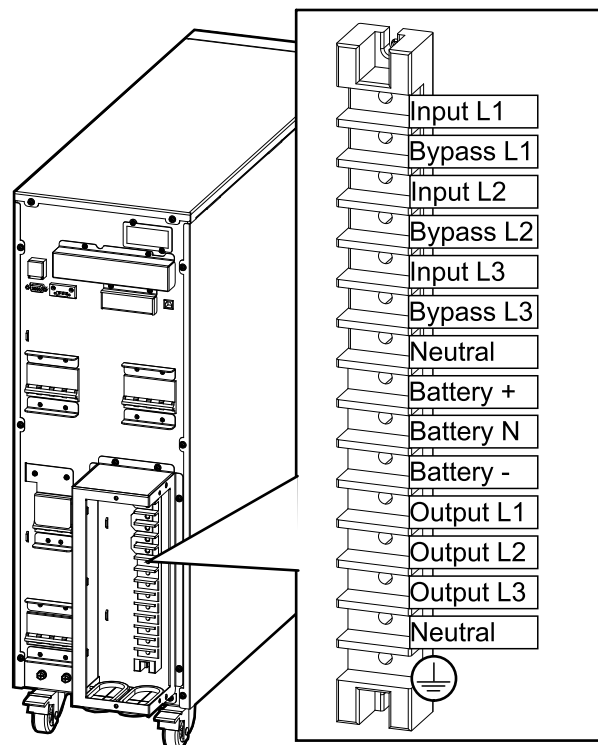
Rear View



- In dual mains systems, remove the three single mains brackets.



- Route the power cables through the conduit box.
- Connect the PE cable to the PE terminal.

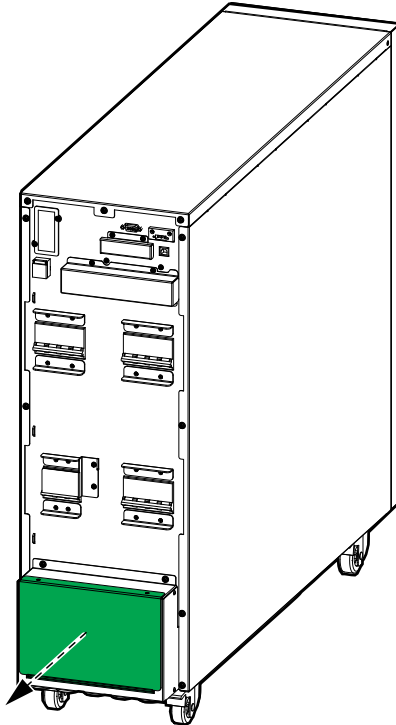


- Connect the input, output, and bypass (if applicable) cables.
- Connect the battery cables.
- Reinstall the conduit box cover.

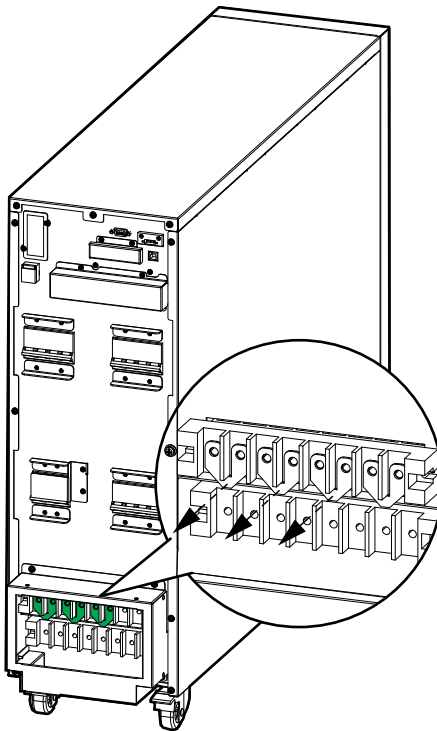
Connect the Power Cables in the 40 kVA 400 V / 20 kVA 208 V UPS

1. Ensure that all breakers are in the OFF (open) position.
2. Remove the conduit box cover.

Rear View

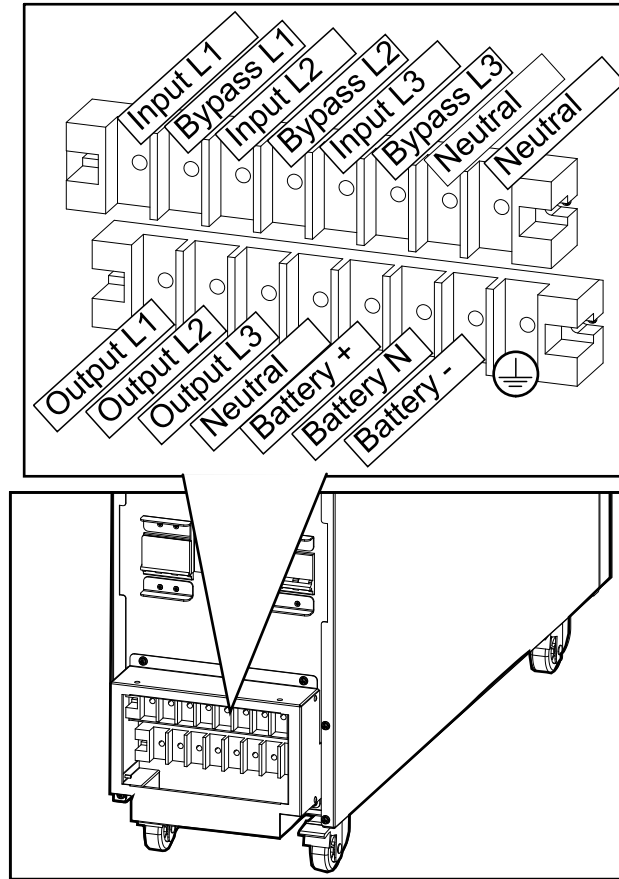


3. In dual mains systems, remove the three single mains brackets.



4. Route the power cables through the conduit box.

5. Connect the PE cable to the PE terminal.

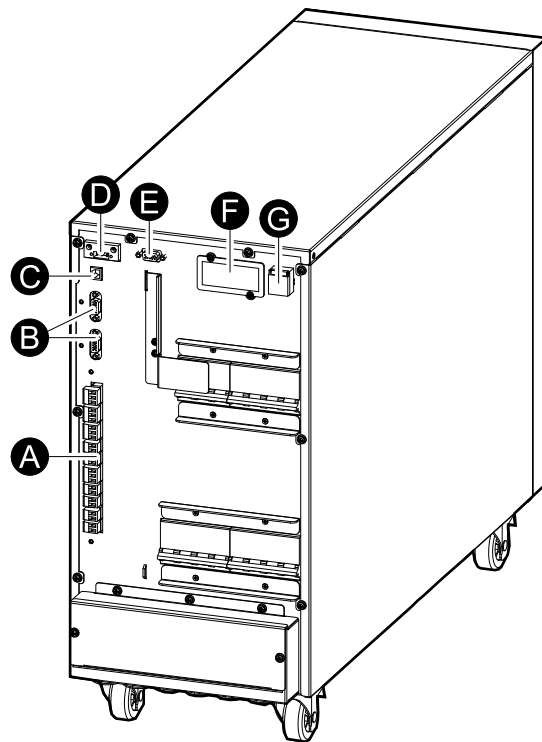


6. Connect the input, output, and bypass (if applicable) cables.
7. Connect the battery cables.
8. Reinstall the conduit box cover.

Communication Interfaces

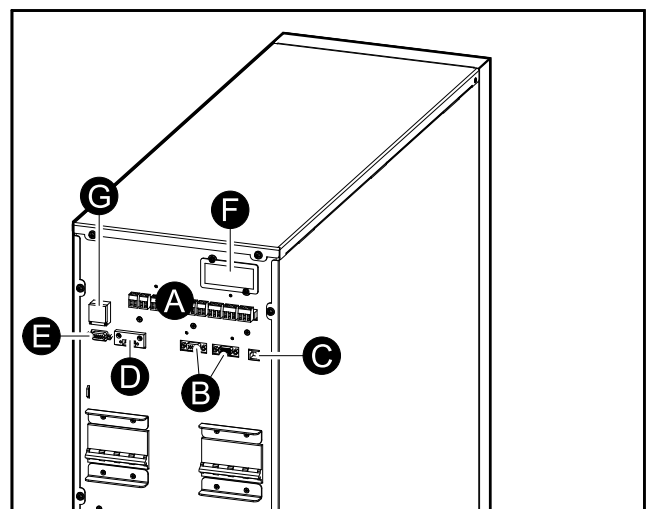
10-15 kVA 400 V UPS

- A. Dry contacts
- B. Parallel ports
- C. USB (for service)
- D. RS485
- E. RS232 (for service)
- F. Slot for optional network card
- G. Cold start (optional)



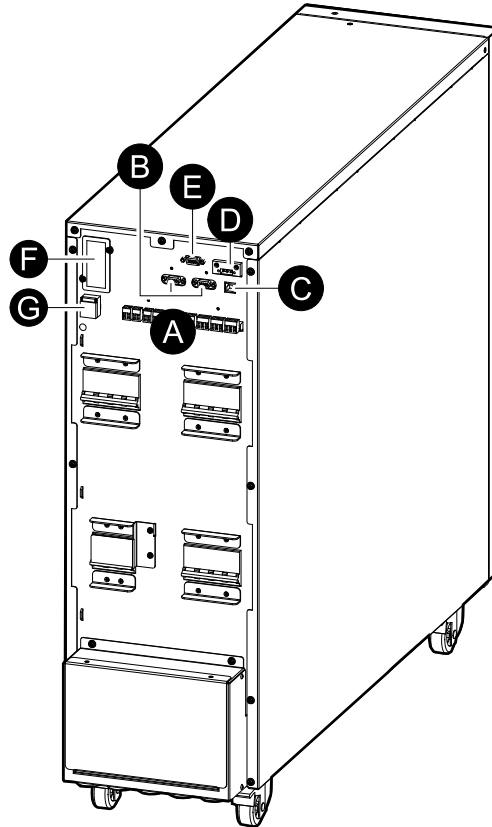
20-30 kVA 400 V / 10-15 kVA 208 V UPS

- A. Dry contacts
- B. Parallel ports
- C. USB (for service)
- D. RS485
- E. RS232 (for service)
- F. Slot for optional network card
- G. Cold start (optional)

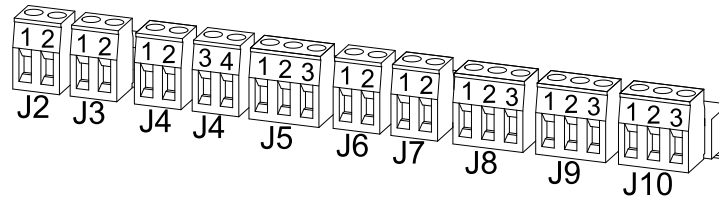


40 kVA 400 V / 20 kVA 208 V UPS

- A. Dry contacts
- B. Parallel ports
- C. USB (for service)
- D. RS485
- E. RS232 (for service)
- F. Slot for optional SNMP
- G. Cold start (optional)



Input Contacts and Output Relays



Input Contacts

NOTE: When an external battery breaker with ON/OFF status detection and trip function is used, leave the terminator installed between J7-1 and J7-2.

NOTE: Schneider Electric recommends to connect the optional temperature sensor kit E3SOPT003 (R25=5 kohm, B25/50=3275) to J2 to monitor the battery temperature.

NOTICE

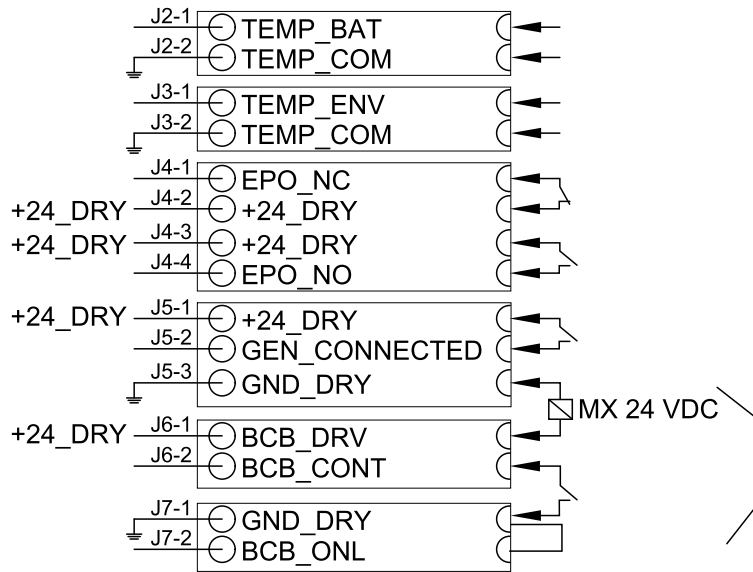
RISK OF EQUIPMENT DAMAGE

- Connect the Schneider Electric shunt trip coil LV429390 to the recommended battery breaker to protect the battery.
- The battery breaker contact drive (J6-1) can provide a maximum of +24 V, 200 mA to the shunt trip coil. If this value is exceeded it can damage the UPS.

Failure to follow these instructions can result in equipment damage.

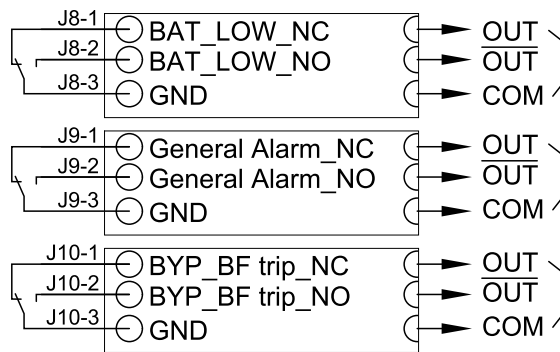
Input connections are considered Class 2/SELV.

Input Contacts for UPSs without Batteries



Output Relays

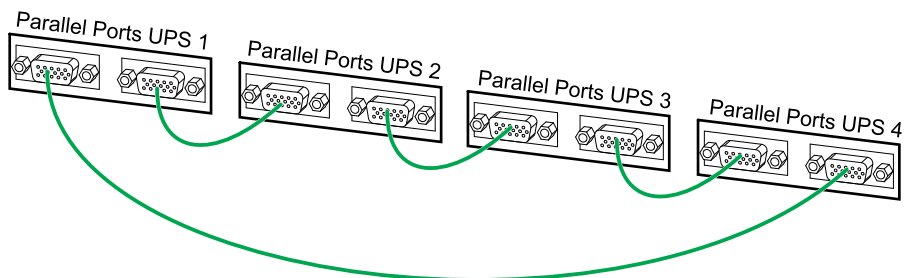
Output relay connection: Maximum 3A/240 VAC.



Connect the Signal Cables in Parallel Systems

1. Connect the optional parallel cables between all the UPSs of the parallel system.

NOTE: See *Communication Interfaces*, page 31 for location of parallel ports.



Backfeed Protection

⚠ DANGER

HAZARD OF ELECTRIC SHOCK, EXPLOSION, OR ARC FLASH

In systems where backfeed protection is not part of the standard design, an automatic isolation device (backfeed protection option or other device meeting the requirements of IEC/EN 62040-1) must be installed to prevent hazardous voltage or energy at the input terminals of the isolation device. The device must open within 15 seconds after the upstream power supply fails and must be rated according to the specifications.

Failure to follow these instructions will result in death or serious injury.

When the UPS input is connected through external isolators that, when opened, isolate the neutral or when the automatic backfeed isolation is provided external to the equipment or is connected to an IT power distribution system, a label must be fitted at the UPS input terminals, and on all primary power isolators installed remote from the UPS area and on external access points between such isolators and the UPS, by the user, displaying the following text (or equivalent in a language which is acceptable in the country in which the UPS system is installed):

⚠ DANGER

HAZARD OF ELECTRIC SHOCK, EXPLOSION, OR ARC FLASH

Risk of Voltage Backfeed. Before working on this circuit: Isolate the UPS and check for hazardous voltage between all terminals including the protective earth.

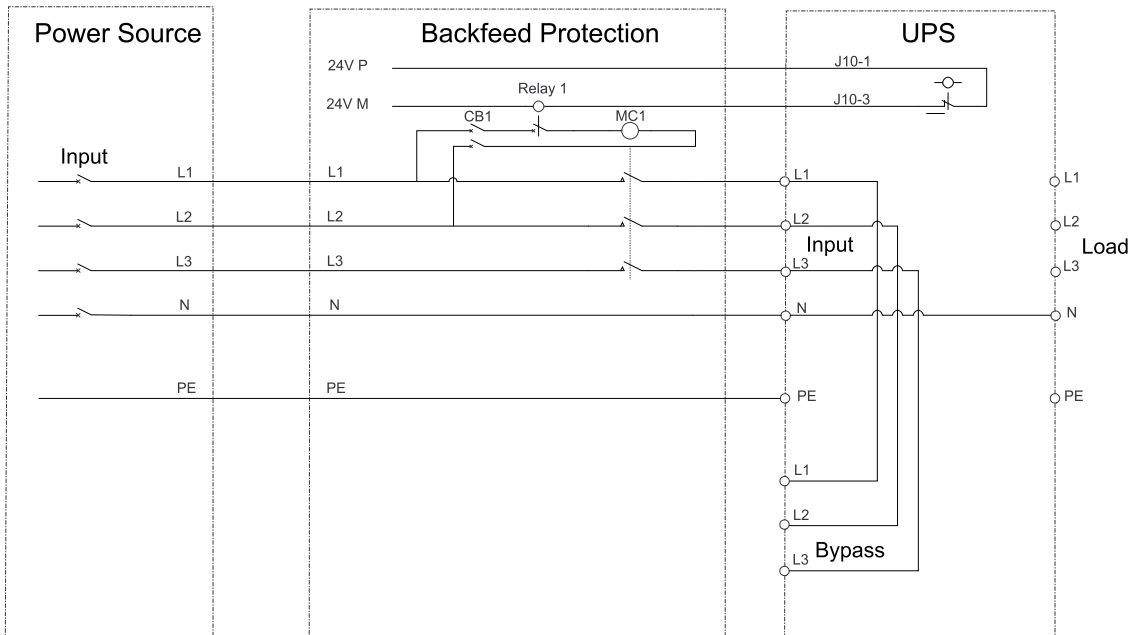
Failure to follow these instructions will result in death or serious injury.

An additional external isolation device must be installed in the UPS system. A magnetic contactor or a circuit breaker with UVR (Under Voltage Release) functionality can be used for this purpose. In the shown examples, the isolation device is a magnetic contactor (marked with a **MC1** for single mains systems and marked with a **MC1** and **MC2** for dual mains systems).

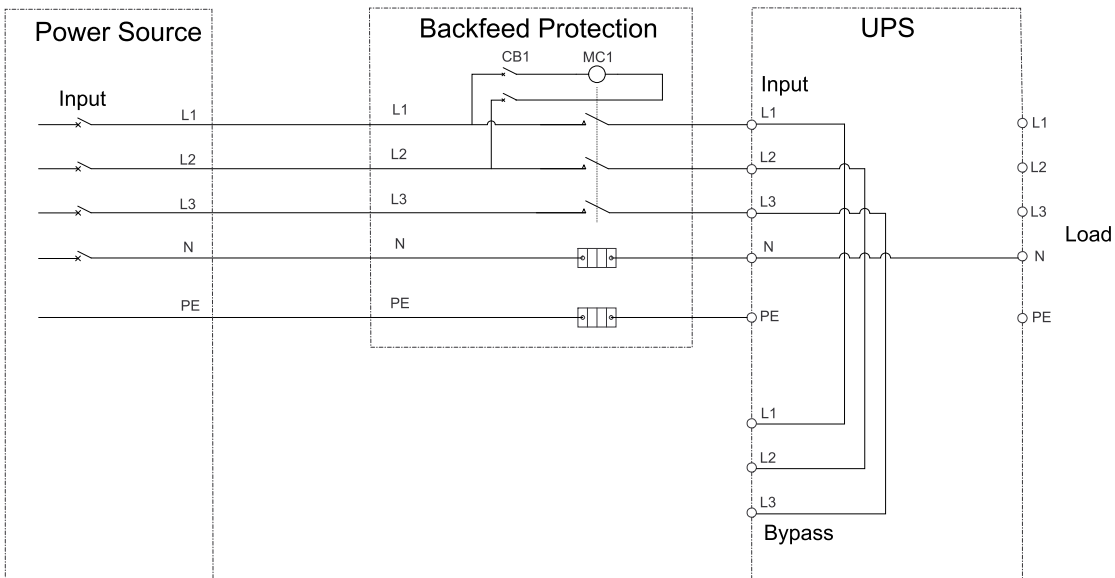
The isolation device must be able to withstand the electrical characteristics as described in *Input Specifications – 3:3 UPSs, page 11*.

NOTE: The 24 V source should be generated from the input source in single mains configurations and from the both the input and bypass source in dual mains configurations.

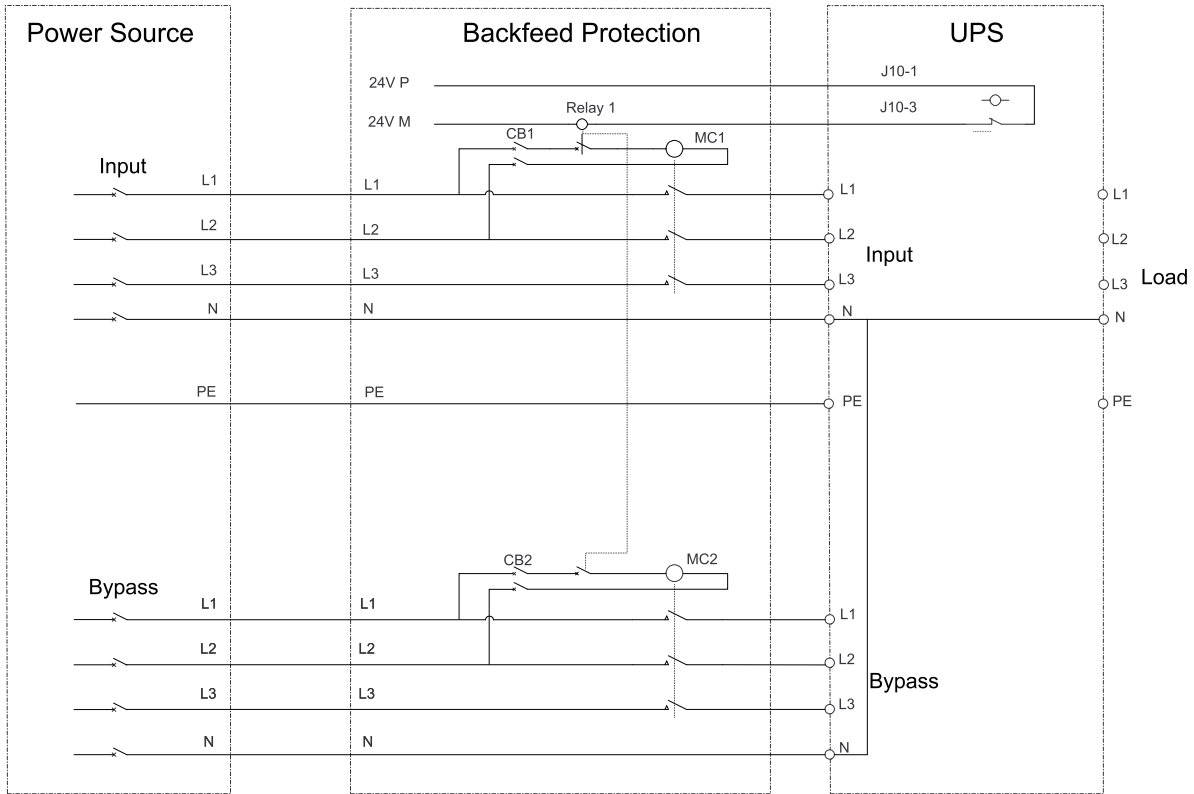
Single Mains UPS and External Isolation Device



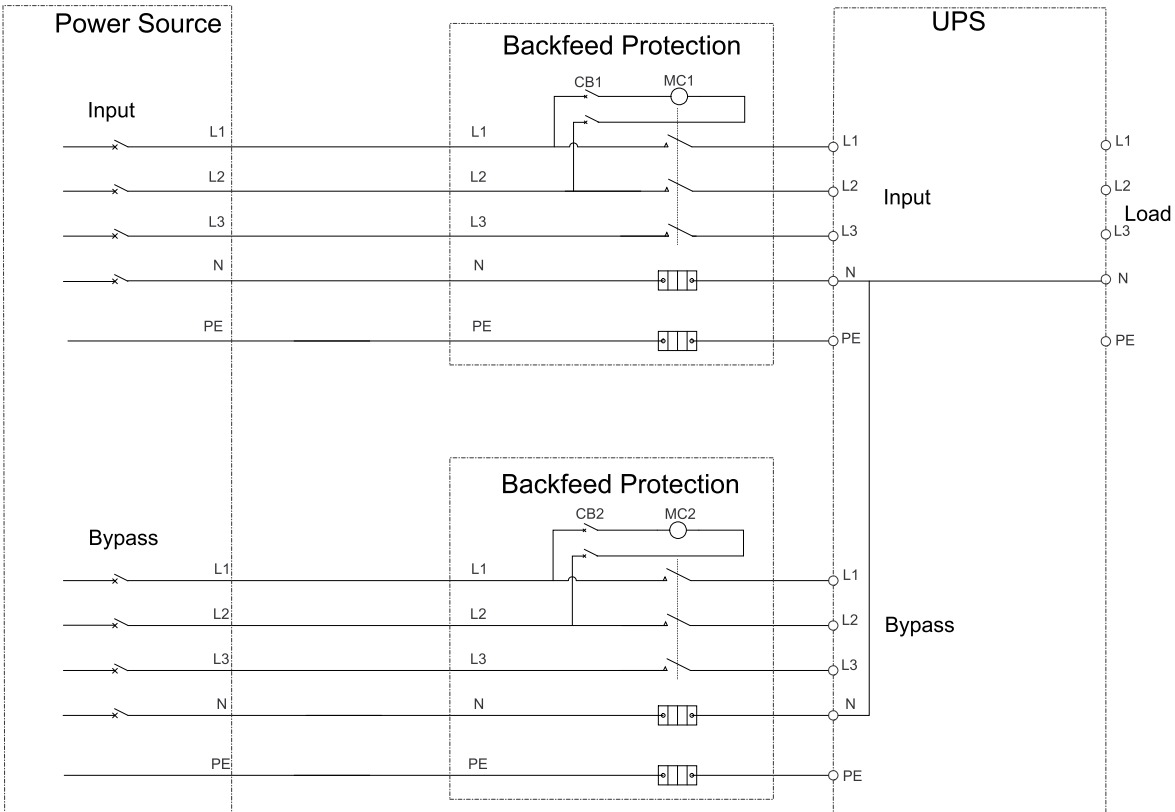
Single Mains UPS with Backfeed Box



Dual Mains UPS and External Isolation Device



Dual Mains with Backfeed Box



Schneider Electric
35 rue Joseph Monier
92500 Rueil Malmaison
France

+ 33 (0) 1 41 29 70 00



As standards, specifications, and design change from time to time,
please ask for confirmation of the information given in this publication.

© 2017 – 2020 Schneider Electric. All rights reserved.

990-91078D-001