

## Dual-Monitor Arm | Synced Height Adjustment



*Actual product may vary from photos*

### User Manual SKU#: ARMSLMBARDUO

For the latest information and specifications visit  
[www.startech.com/ARMSLMBARDUO](http://www.startech.com/ARMSLMBARDUO)

---

## **Use of Trademarks, Registered Trademarks, and other Protected Names and Symbols**

This manual may make reference to trademarks, registered trademarks, and other protected names and/or symbols of third-party companies not related in any way to StarTech.com. Where they occur these references are for illustrative purposes only and do not represent an endorsement of a product or service by StarTech.com, or an endorsement of the product(s) to which this manual applies by the third-party company in question. Regardless of any direct acknowledgement elsewhere in the body of this document, StarTech.com hereby acknowledges that all trademarks, registered trademarks, service marks, and other protected names and/or symbols contained in this manual and related documents are the property of their respective holders.

## Warning Statements

- Make sure that you assemble this product according to the instructions.
- Do not exceed the weight capacity of this product. Overloading this product might result in injury or property damage. This product can support the following weight: 17.6 lb. (2 x 8 kg) per Monitor Mount.
- This product is intended for indoor use only and should not be used outdoors.

## Varningsmeddelanden

- Se till att du monterar produkten i enlighet med instruktionerna.
- Överskrid inte produktens viktkapacitet. Överbelastning av produkten kan orsaka skada på person eller egendom. Denna produkt har stöd för följande vikter: 2 x 8 kg.
- Produkten är endast avsedd för användning inomhus och ska inte användas utomhus.

## Avertissements

- Assemblez ce produit conformément aux instructions.
- Ne dépassez pas la capacité pondérale du produit. Une surcharge du produit peut entraîner des blessures ou des dommages matériels. Ce produit peut supporter 2 x 8 kg.
- Ce produit est uniquement destiné à une utilisation en intérieur et ne doit pas être utilisé à l'extérieur.

## Warnhinweise

- Beachten Sie bei der Montage dieses Produkts die Montageanweisungen.
- Überschreiten Sie nicht die Tragkraft dieses Produkts. Ein Überladen dieses Produkts kann zu Verletzungen oder zur Beschädigung des Produkts führen. Dieses Produkt ist für folgendes Gewicht geeignet: 2 x 8 kg.
- Dieses Produkt ist nur zum Gebrauch in Innenräumen vorgesehen und sollte nicht im Freien verwendet werden.

## Dichiarazioni di avvertenza

- Assicurarasi di Assemblare il prodotto secondo le istruzioni.
- Non superare la capacità di carico del prodotto. Il sovraccarico del prodotto potrebbe causare danni o lesioni. Il prodotto è in grado di supportare i seguenti pesi: 2 x 8 kg.

- Il prodotto è destinato all'uso in ambienti interni. Se ne sconsiglia l'impiego in ambienti esterni.

## Mensagens de aviso

- Certifique-se de que monta este produto de acordo com as instruções.
- Não exceda a capacidade de peso deste produto. Sobrecarregar este produto pode resultar em ferimentos ou danos de propriedade. Este produto pode suportar o seguinte peso: 2 x 8 kg.
- Este produto destina-se apenas a uma utilização no interior e não deve ser utilizado no exterior.

## Advertencias de uso

- Asegúrese de ensamblar este producto según las instrucciones.
- Asegúrese de no exceder la capacidad de peso de este producto. La sobrecarga de este producto puede causar lesiones personales o daños en la propiedad. Este producto tiene capacidad para el siguiente peso: 2 x 8 kg.
- El uso de este producto es solo para interiores y no debe utilizarse en exteriores.

## Waarschuwingen

- Zorg dat u dit product volgens de instructies in elkaar zet.
- Overschrijd de maximale capaciteit van dit product niet. Overbelasting van dit product kan letsel of materiële schade veroorzaken. Dit product ondersteunt het volgende gewicht: 2 x 8 kg.
- Dit product is alleen bedoeld voor binnengebruik en mag niet buiten worden gebruikt.

## 注意

- 必ず取扱説明書に従って本製品の組み立てを行って下さい。
- 本製品で定められた最大積載重量を超えないようにして下さい。最大積載重量をオーバーした場合、怪我をする恐れや器物破損の恐れがあります。本製品は、モニター1台あたり2x x 8kgまで支持できます。
- 本製品は、室内での使用を想定しています。戸外では使用しないで下さい。

## Safety Statements

### Safety Measures

- Wiring terminations should not be made with the product and/or electric lines under power.
- Cables (including power and charging cables) should be placed and routed to avoid creating electric, tripping or safety hazards.

### Mesures de sécurité

- Les terminaisons de câblage ne doivent pas être effectuées lorsque le produit et/ou les câbles électriques sont sous tension.
- Les câbles (y compris les câbles d'alimentation et de chargement) doivent être placés et acheminés de façon à éviter tout risque électrique, de chute ou de sécurité

### 安全対策

- 電源が入っている状態の製品または電線の終端処理を行わないでください。
- ケーブル(電源ケーブルと充電ケーブルを含む)は、適切な配置と引き回しを行い、電気障害やつまづきの危険性など、安全上のリスクを回避するようにしてください。

### Misure di sicurezza

- I terminali dei fili elettrici non devono essere realizzate con il prodotto e/o le linee elettriche sotto tensione.
- I cavi (inclusi i cavi di alimentazione e di ricarica) devono essere posizionati e stesi in modo da evitare pericoli di inciampo, rischi di scosse elettriche o pericoli per la sicurezza.

### Säkerhetsåtgärder

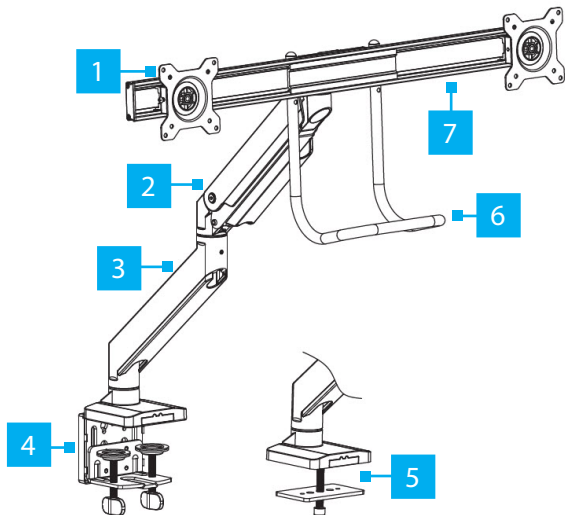
- Montering av kabelavslutningar får inte göras när produkten och/eller elledningarna är strömförda.
- Kablar (inklusive elkablar och laddningskablar) ska dras och placeras på så sätt att risk för snubblingsolyckor och andra olyckor kan undvikas.

# Table of Contents

Warning Statements.....	2
Safety Statements .....	4
Product Diagram .....	6
Front View .....	6
Product Dimensions.....	7
Product Rotation .....	8
Product Information.....	9
Package Contents .....	9
Technical Specifications.....	13
Requirements .....	15
Assembling the Monitor Mount Using the C-Clamp .....	16
Using the Grommet Mount.....	31
Mounting the Monitors.....	44
Adjusting the Spring Arm Tension.....	49
Adjusting the Rotation .....	50
Making Micro-Adjustments .....	51
Routing the Cables .....	52

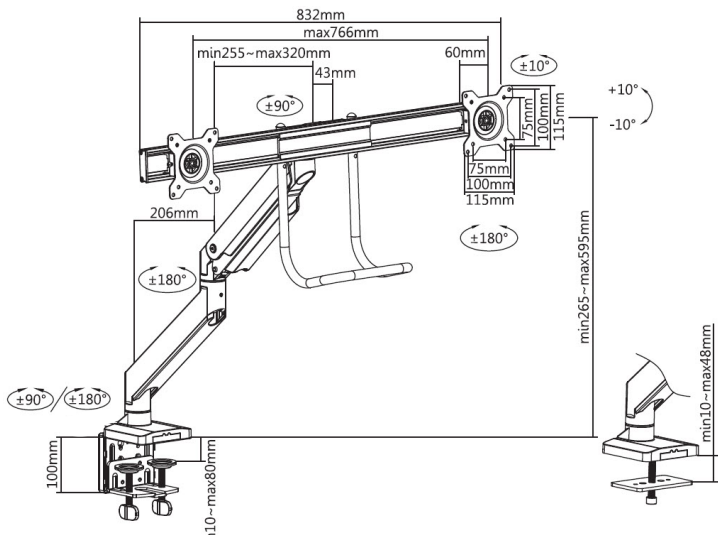
# Product Diagram

## Front View



1	VESA Mount x 2	5	Grommet Clamp
2	Upper Arm	6	Grab Handle
3	Lower Arm	7	Crossbar
4	C-Clamp		

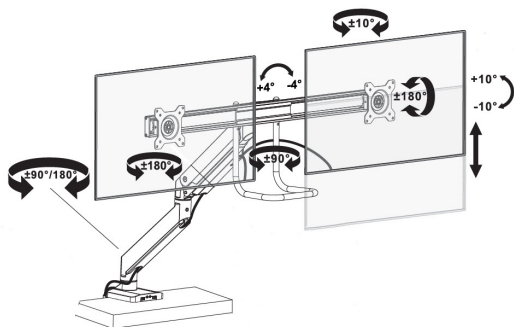
## Product Dimensions



Actual product may vary from image

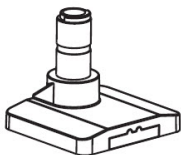


## Product Rotation



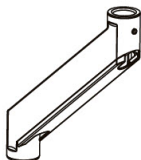
## Product Information

### Package Contents



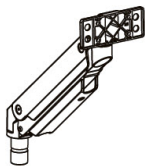
Base

Qty: 1



Lower Arm

Qty: 1



Upper Arm

Qty: 1



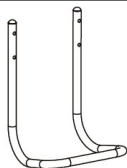
Crossbar

Qty: 1



VESA Mount

Qty: 2



Grab Handle

Qty: 1



Grommet Plate

Qty: 1



Base Plate

Qty: 1



Adhesive Foam Pad

Qty: 1



Base Cable Management Clip

Qty: 1



Countersunk Hex Screw

Qty: 4



Flat Head Hex Screw

Qty: 2



3 mm Hex Key

Qty: 1



4 mm Hex Key

Qty: 1



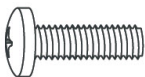
6 mm Hex Key

Qty: 1



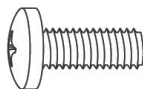
Washer

Qty: 8



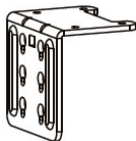
M4 x 12 mm Screws

Qty: 8



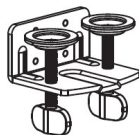
M5 x 12 mm Screws

Qty: 8



Upper C-Clamp

Qty: 1



Lower C-Clamp

Qty: 1



Button Head Hex Screws

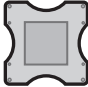



Qty: 4





Grommet Screw

Qty: 1

## Technical Specifications

 VESA	75 x 75 100 x 100
 Weight	17.6 lb. (2 x 8 kg)
 Screen Size	Max. 32"
 Rotation	- 180° to + 180°

 <p>Tilt</p>	<p>- 10° to + 10°</p>
 <p>Swivel</p>	<p>- 10° to + 10°</p>

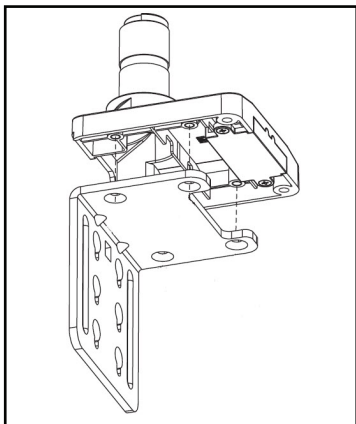
## Requirements

- Phillips Head Screwdriver x 1
- Displays x 2



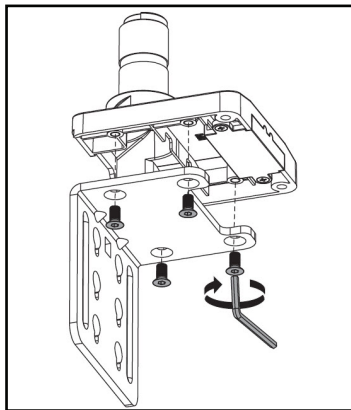
## Assembling the Monitor Mount Using the C-Clamp

1. Align the **Screw Holes** (x 4) on the top of the **Upper C-Clamp** with the **Screw Holes** on the bottom of the **Base**.



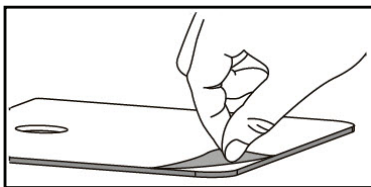
Aligning the Upper C-Clamp with the Base

2. Insert the **Countersunk Hex Screws** through the **Screw Holes** on the **Upper C-Clamp** and into the **Screw Holes** on the bottom of the **Base**.



Installing the Button Head Screws

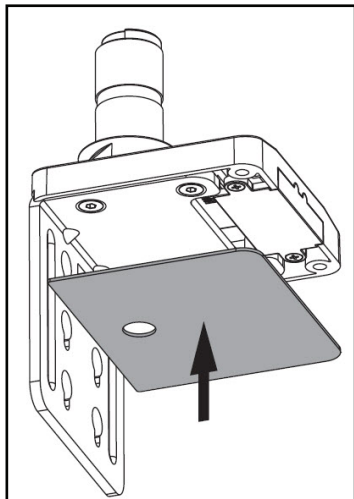
3. Using the **4 mm Hex Key** tighten the **Countersunk Hex Screws** being careful not to over-tighten.
4. Remove the backing from the **Adhesive Foam Pad**.



Removing the Adhesive Backing

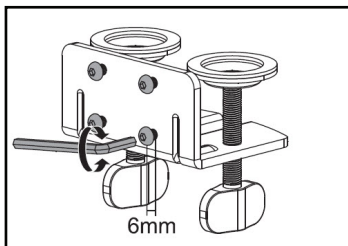
5. Carefully apply the **Adhesive Foam Pad** to the bottom side

of the upper portion of the **Upper C-Clamp**.



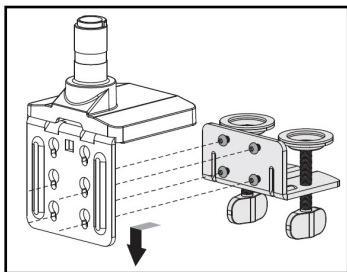
Applying the Adhesive Foam Pad

- Using the **4 mm Hex Key**, loosen the four **Screws** on the back of the **Lower C-Clamp**.



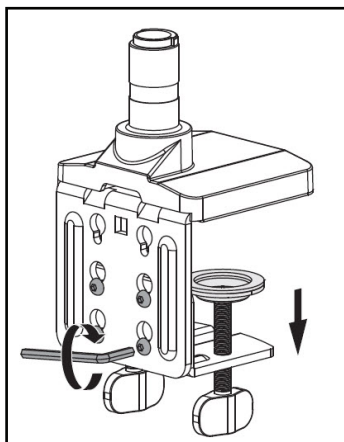
### Loosening the Screws on the Lower C-Clamp

7. Insert the four **Screws** on the back of the **Lower C-Clamp** through the large portion of the **Screw Holes** on the back of the **Upper C-Clamp**. Slide the **Screws** down into the small portion of the **Screw Holes**.



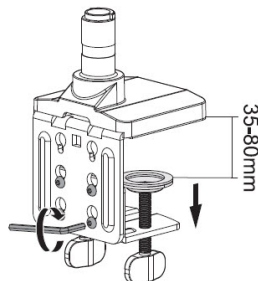
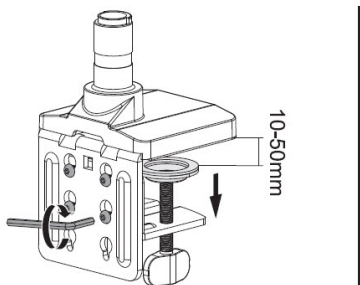
### Attaching the Lower and Upper C-Clamp

8. Using the **4 mm Hex Key**, tighten the four **Screws**, to create the **C-Clamp Assembly**.



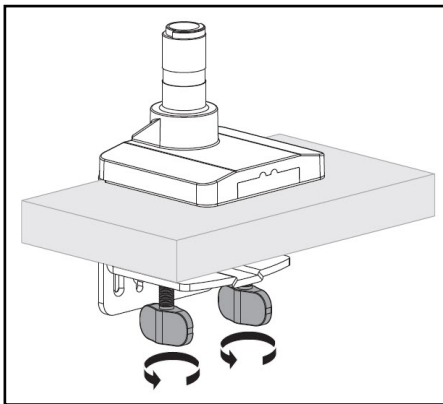
### Tightening the Screws

9. Depending on the thickness of the **Mounting Surface**, position the **Screws** in either the top four **Screw Holes** on the **C-Clamp Assembly** for a thickness range of 10 - 50 mm or the bottom four **Screw Holes** for a thickness range of 35 - 80 mm.



### C-Clamp Dimensions

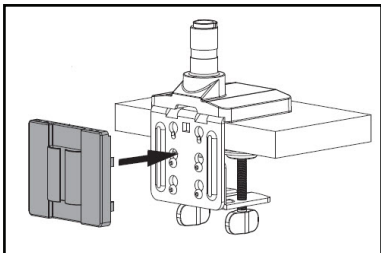
10. Align the **C-Clamp Assembly** with the edge of the **Mounting Surface**.
11. Slide the **C-Clamp Assembly** over the edge of the **Mounting Surface**.
12. From underneath the **Mounting Surface**, tighten the two **Thumb Screws** at the bottom of the **C-Clamp Assembly**. Tighten the **Thumb Screws** until the **C-Clamp Plate** is pressed tightly against the bottom of the **Mounting Surface**.



### Securing the C-Clamp to the Mounting Surface

13. Gently push the **Base Cable Management Clip** into the back of the **C-Clamp Assembly**, securing the **Base Cable Management Clip** in place.

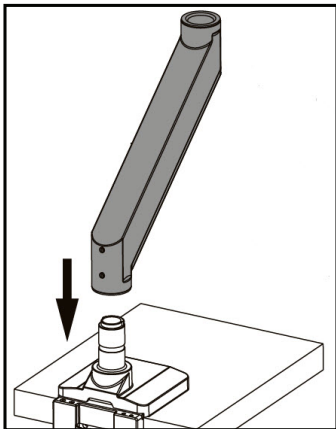
**Note:** Once you are finished using the **Hex Keys** they can be stored in the back of the **Cable Management Clip**.



### Installing Base Cable Management Clip

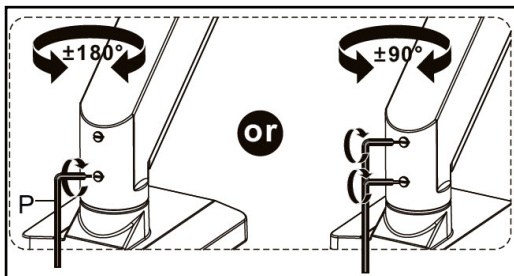
14. Align the bottom of the **Lower Arm** with the **Mounting Peg** on the **Base**.
15. Insert the bottom of the **Lower Arm** onto the **Mounting Peg**.





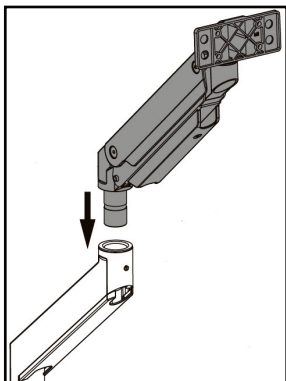
Installing the Lower Arm onto the Base

16. Use the **Flat Head Screwdriver End** on the **3 mm Hex Key** to tighten the **Screws** on the **Lower Arm**. Tighten only the bottom **Screw** to allow the arm to rotate + or - 180°. Tighten both **Screws** to allow the arm to rotate + or - 90°.



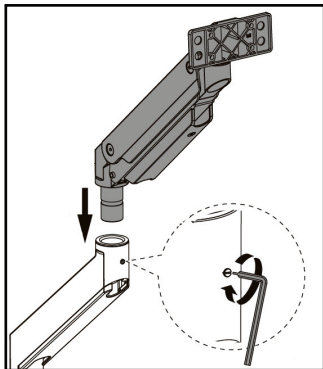
Setting the Arm Rotation

17. When the **Lower Arm** is attached to the **Base**. Align the Mounting Peg on the **Upper Arm** with the **Mounting Hole** on the **Lower Arm**.
18. Insert the **Mounting Peg** on the **Upper Arm** into the **Mounting Hole** on the **Lower Arm**.



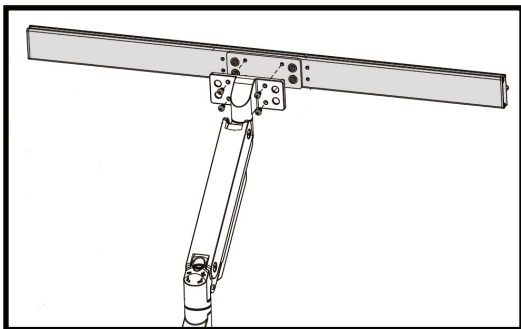
### Installing the Upper Arm onto the Lower Arm

19. Use the **Flat Head Screwdriver End** on the **3 mm Hex Key** to tighten the **Screw** on the **Lower Arm**.



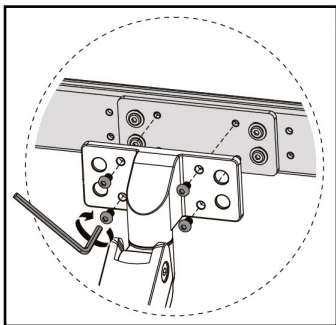
Securing the Upper Arm

20. Align the **Screw Holes** on the **Crossbar** (x 4) with the **Screw Holes** on the **Mount** on the **Upper Arm**.



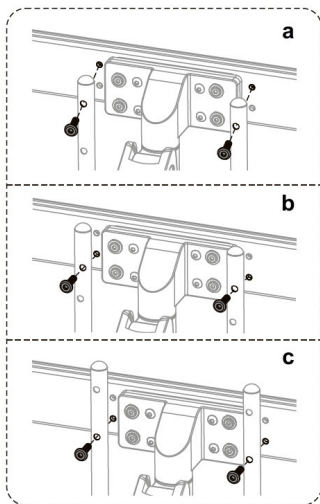
### Aligning the Crossbar With the Upper Arm

21. Insert the **Button Head Hex Screws** through the **Screw Holes** on the **Crossbar** and into the **Screw Holes** on the **Mount**.
22. Using the **4 mm Hex Key**, tighten the **Button Head Hex Screws**, being careful not to over-tighten.



Securing the Crossbar to the Mount

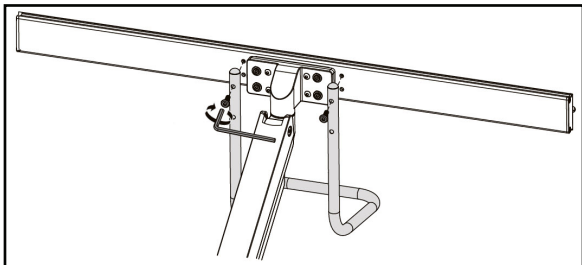
23. Align the one of the **Screw Holes** on the **Grab Handle** with the top or bottom **Screw Hole** on the **Crossbar**. The **Grab Handle** can be mounted at three different heights depending on which **Screw Holes** you use on the **Grab Handle** and **Crossbar**.



### Grab Handle Mounting Heights

24. Insert a **Flat Head Hex Screw** through one of the two **Screw Holes** on the **Grab Handle** and into one of the two **Screw Holes** on the **Crossbar**. The **Flat Head Hex Screw** location will determine the height of the **Grab Handle**.
25. Repeat steps 25 - 26 to install the second **Flat Head Hex Screw**.

26. Using the **4 mm Hex Key**, tighten the two **Flat Head Hex Screws**, being careful not to over-tighten.

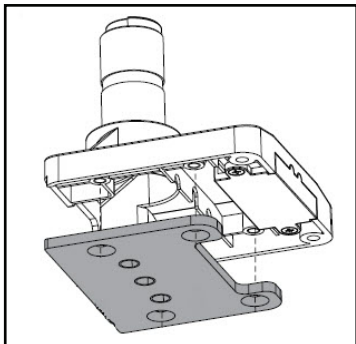


Installing the Grab Handle

## Using the Grommet Mount

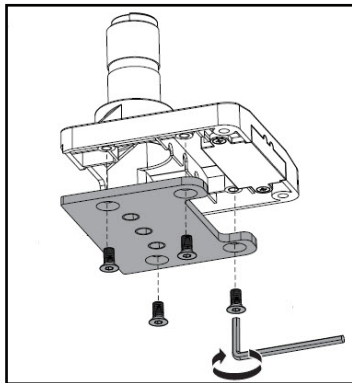
1. Align the **Screw Holes** (x 4) on the **Base Plate** with the **Screw Holes** on the bottom of the **Base**.





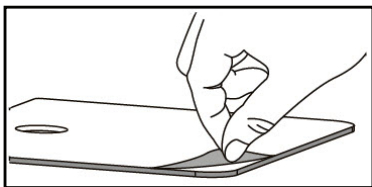
Aligning the Base Plate with the Base

2. Insert the **Countersunk Hex Screws** through the **Screw Holes** on the **Base Plate** and into the **Screw Holes** on the bottom of the **Base**.



Installing the Button Head Screws

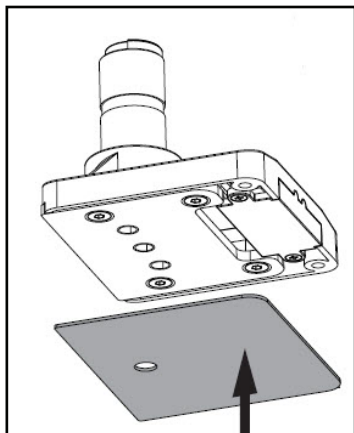
3. Using the **4 mm Hex Key** tighten the **Countersunk Hex Screws** being careful not to over-tighten.
4. Remove the backing from the **Adhesive Foam Pad**.



Removing the Adhesive Backing

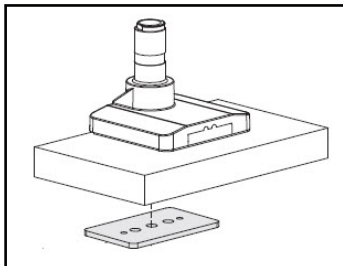
- Carefully apply the **Adhesive Foam Pad** to the bottom side of the **Base Plate**.

**Note:** *The hole in the Adhesive Foam Pad should be closest to the rear edge of the Base.*



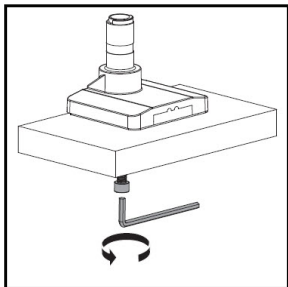
Applying the Adhesive Foam Pad

- Align the **Grommet Hole** on the bottom of the **Base** with the **Grommet Hole** on the **Mounting Surface**.
- From underneath the **Mounting Surface**, align the center hole on the **Grommet Plate** with the **Grommet Hole** on the **Base**.



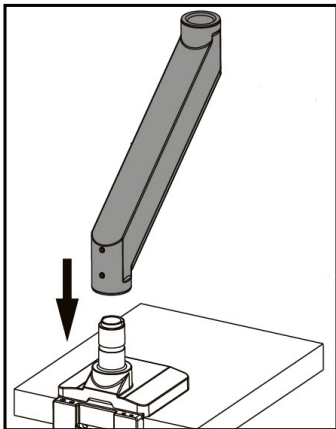
### Aligning the Grommet Plate

8. Insert the **Grommet Screw** through the **Grommet Plate** and **Grommet Hole** and into the **Grommet Hole** on the **Base**.
9. Use the **6 mm Hex Key** to tighten the **Grommet Screw** until the **Grommet Plate** is pressed tightly against the bottom of the **Mounting Surface**.



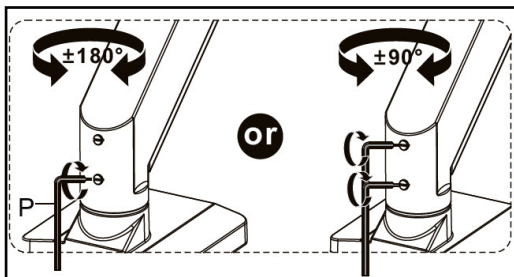
Tightening the Grommet Screw

10. Align the bottom of the **Lower Arm** with the **Mounting Peg** on the **Base**.
11. Insert the bottom of the **Lower Arm** onto the **Mounting Peg**.



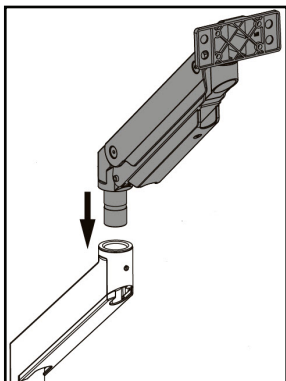
Installing the Lower Arm onto the Base

12. Use the **Flat Head Screwdriver End** on the **3 mm Hex Key** to tighten the **Screws** on the **Lower Arm**. Tighten only the bottom **Screw** to allow the arm to rotate + or - 180°. Tighten both **Screws** to allow the arm to rotate + or - 90°.



Setting the Arm Rotation

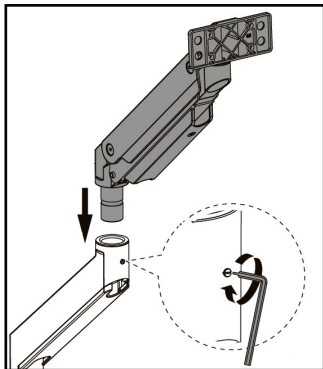
13. When the **Lower Arm** is attached to the **Base**. Align the Mounting Peg on the **Upper Arm** with the **Mounting Hole** on the **Lower Arm**.
14. Insert the **Mounting Peg** on the **Upper Arm** into the **Mounting Hole** on the **Lower Arm**.



### Installing the Upper Arm onto the Lower Arm

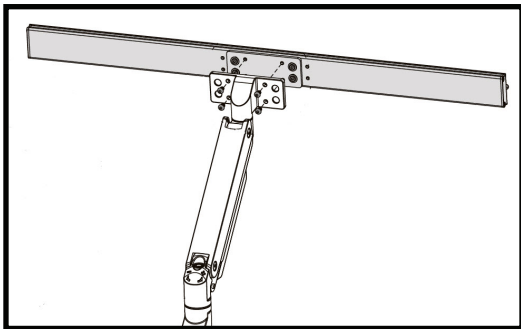
15. Use the **Flat Head Screwdriver End** on the **3 mm Hex Key** to tighten the **Screw** on the **Lower Arm**.





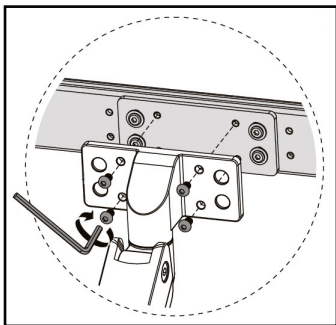
Securing the Upper Arm

16. Align the **Screw Holes** on the **Crossbar** (x 4) with the **Screw Holes** on the **Mount** on the **Upper Arm**.



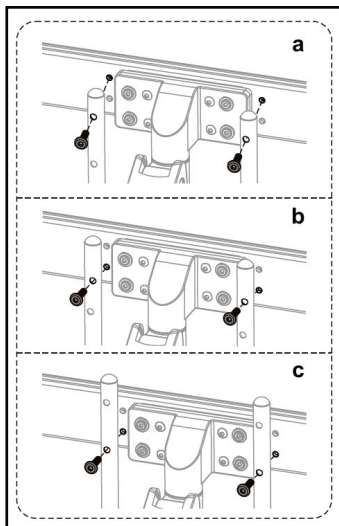
### Aligning the Crossbar With the Upper Arm

17. Insert the **Button Head Hex Screws** through the **Screw Holes** on the **Crossbar** and into the **Screw Holes** on the **Mount**.
18. Using the **4 mm Hex Key**, tighten the **Button Head Hex Screws**, being careful not to over-tighten.



Securing the Crossbar to the Mount

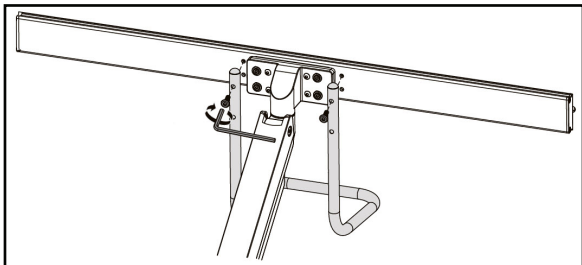
19. Align the one of the **Screw Holes** on the **Grab Handle** with the top or bottom **Screw Hole** on the **Crossbar**. The **Grab Handle** can be mounted at three different heights depending on which **Screw Holes** you use on the **Grab Handle** and **Crossbar**.



### Grab Handle Mounting Heights

20. Insert a **Flat Head Hex Screw** through one of the two **Screw Holes** on the **Grab Handle** and into one of the two **Screw Holes** on the **Crossbar**. The **Flat Head Hex Screw** Location will determine the height of the **Grab Handle**.
21. Repeat steps 19 - 20 to install the second **Flat Head Hex Screw**.

- Using the **4 mm Hex Key**, tighten the two **Flat Head Hex Screws**, being careful not to over-tighten.



Installing the Grab Handle

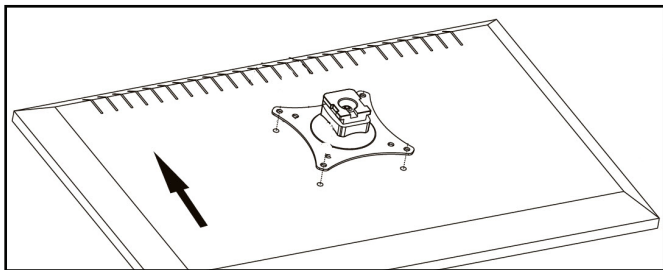
## Mounting the Monitors

- Place the **Monitor** screen side down on a flat, clean surface.
- (Optional) Remove any **Screws** or **Place Holders** from the **VESA Mounting Holes** on the back of the **Monitor**.

**Note:** Be careful not to remove any of the **Screws** holding the **Monitor's Casing** together.

- Align the **Screw Holes** on the **VESA Mount** with the **VESA Mounting Holes** on the back of the **Monitor**. The **VESA Mount** can support 75 x 75 or 100 x 100 mounting pattern.

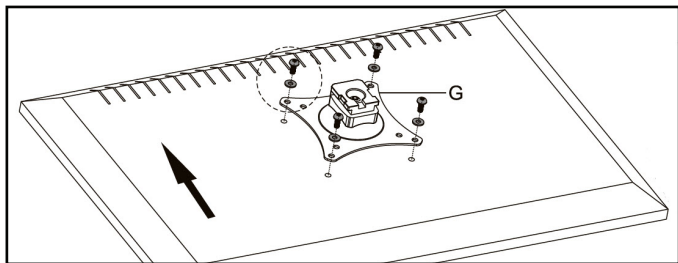
**Note** When attached, the **Notch** on the **VESA Mount** should be along the bottom edge of the **Monitors**.



### Aligning the VESA Mount with Monitor

4. Select the appropriate hardware for mounting the **VESA Mount** to the back of the **Monitor** either M4 x 12 mm, M5 x 12 mm, or customer sourced screws.
5. Insert the appropriate **Screws** through the **Screw Holes** on the **VESA Mount** and into the **VESA Mounting Holes** on the back of the **Monitor**.
6. Using a **Phillips Head Screwdriver** (or appropriate screwdriver) tighten the screws.

**Note:** Do not over-tighten the **Screws**. If you encounter resistance while you're tightening the **Screws**, stop tightening. Failure to do so could result in damage to the **Monitor**.

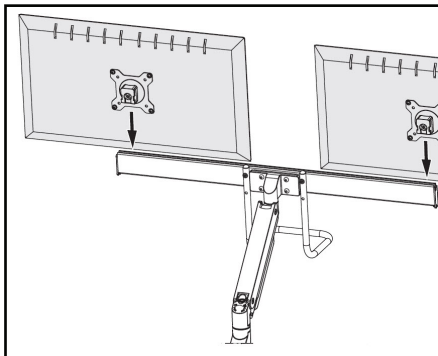


### Installing the VESA Mount

7. Repeat steps 1 - 6 to install the **VESA Mount** of the second **Monitor**.

**Note:** *It is recommended that two people mount the **Monitors** onto the **Crossbar**.*

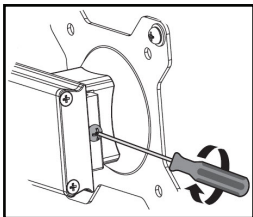
8. While supporting the weight of the **Monitor**, align the **VESA Mount** on the back of the **Monitor** with the **VESA Holder** on the **Crossbar**.



Sliding the Monitor Over the VESA Holder

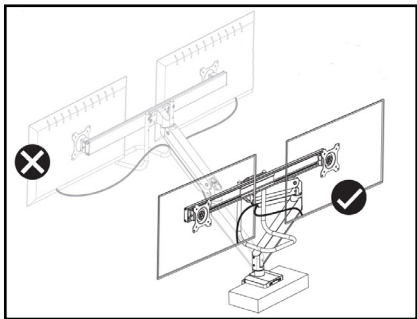
9. Slide the **VESA Mount** down ovetop of the **VESA Holder**.
10. While holding the **Monitor** in place, use a **Phillips Head Screwdriver** to tighten the **VESA Mount Adjustment Screw** on the side of the **VESA Mount**.





Tightening the VESA Mount

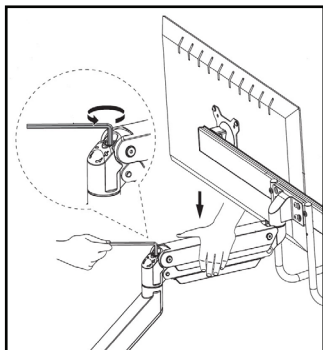
11. Repeat steps 8 - 10 to mount the second **Monitor**.
12. Do not rotate the **Monitors** over the rear edge of the **Mounting Surface** as this will create a tipping hazard with potential for equipment or personal damage.



Do Not Rotate Monitors Over Rear Edge

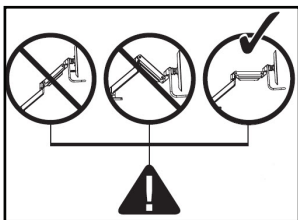
## Adjusting the Spring Arm Tension

1. Using your hand push downward on the **Upper Arm** holding it in place.
2. Use the **6 mm Hex Key** to rotate the **Adjustment Screw** located at the base of the **Upper Arm** clockwise (decreasing tension) or counter clockwise (increasing tension).



Adjusting the Spring Arm Tension

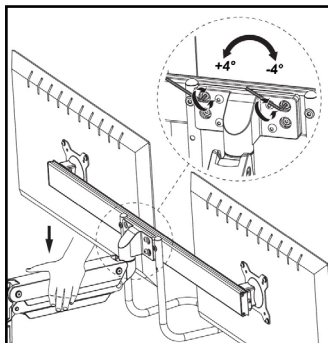
3. The **Upper Arm** (spring arm) should only be placed in a horizontal position.



Correct Upper Arm Position

## Adjusting the Rotation

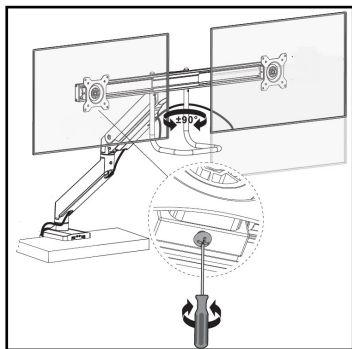
1. Use the **4 mm Hex Key** to loosen the four **Screws** on the back of the **VESA Mount**.
2. Adjust the rotation of the **Crossbar**  $+4^{\circ}$  or  $-4^{\circ}$ .
3. Use the **4 mm Hex Key** to retighten the four **Screws**.



Adjusting the Tilt

## Making Micro-Adjustments

1. While holding the **Monitor** in place, use a **Phillips Head Screwdriver** to loosen the **VESA Mount Adjustment Screw** on the side of the **VESA Mount**.
2. Using a **Phillips Head Screwdriver** adjust the **Micro-Adjustment Screw** on the bottom of the **VESA Mount**.

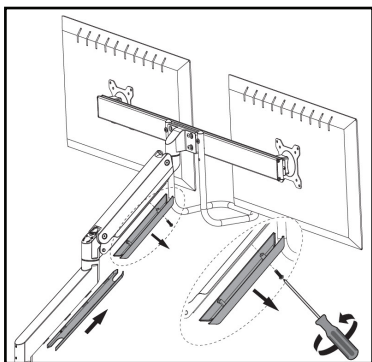


Making Micro-Adjustments

3. When the **Monitor** is in the desired position, tighten the **VESA Mount Adjustment Screw** on the side of the **VESA Mount**.

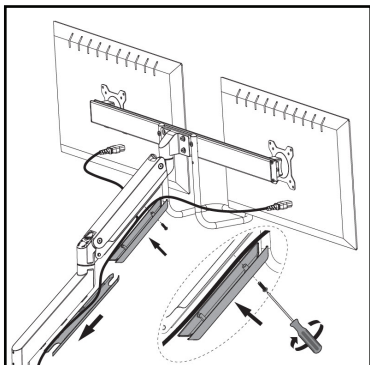
## Routing the Cables

1. Using a **Phillips Head Screwdriver**, remove the **Screw** from the **Cable Cover**, located underneath the **Upper Arm** and unhook the **Retention Hook** to remove the **Cable Cover**.
2. Slide the **Cable Cover** on the **Lower Arm** up in order to remove the **Cable Cover**.



Removing the Cable Covers

3. Route the **Monitor Cables** down the inside of the **Upper Arm**, on either side of the **Screw Holes** on the **Cable Cover**.
4. Replace the **Screw** removed in step 1 and hook the **Retention Hook**, securing the **Cable Cover** to the **Upper Arm**.
5. Route the **Monitor Cables** down the inside of the **Lower Arm**.



Replacing the Cable Covers

6. Slide the **Cable Cover** down the inside of the **Lower Arm** to secure it.

## Warranty Information

This product is backed by a five-year warranty.

For further information on product warranty terms and conditions, please refer to [www.startech.com/warranty](http://www.startech.com/warranty).

## Limitation of Liability

In no event shall the liability of StarTech.com Ltd. and StarTech.com USA LLP (or their officers, directors, employees or agents) for any damages (whether direct or indirect, special, punitive, incidental, consequential, or otherwise), loss of profits, loss of business, or any pecuniary loss, arising out of or related to the use of the product exceed the actual price paid for the product.

Some states do not allow the exclusion or limitation of incidental or consequential damages. If such laws apply, the limitations or exclusions contained in this statement may not apply to you.



## Hard-to-find made easy. At StarTech.com, that isn't a slogan. It's a promise.

StarTech.com is your one-stop source for every connectivity part you need. From the latest technology to legacy products — and all the parts that bridge the old and new — we can help you find the parts that connect your solutions.

We make it easy to locate the parts, and we quickly deliver them wherever they need to go. Just talk to one of our tech advisors or visit our website. You'll be connected to the products you need in no time.

Visit [www.startech.com](http://www.startech.com) for complete information on all StarTech.com products and to access exclusive resources and time-saving tools.

StarTech.com is an ISO 9001 Registered manufacturer of connectivity and technology parts. StarTech.com was founded in 1985 and has operations in the United States, Canada, the United Kingdom and Taiwan servicing a worldwide market.

### Reviews

Share your experiences using StarTech.com products, including product applications and setup, what you love about the products, and areas for improvement.

#### StarTech.com Ltd.

45 Artisans Cres.  
London, Ontario  
N5V 5E9  
Canada

FR: [startech.com/fr](http://startech.com/fr)  
DE: [startech.com/de](http://startech.com/de)

#### StarTech.com LLP

2500 Creekside Pkwy.  
Lockbourne, Ohio  
43137  
U.S.A.

ES: [startech.com/es](http://startech.com/es)  
NL: [startech.com/nl](http://startech.com/nl)

#### StarTech.com Ltd.

Unit B, Pinnacle  
15 Gowerton Rd.,  
Brackmills  
Northampton  
NN4 7BW  
United Kingdom

IT: [startech.com/it](http://startech.com/it)  
JP: [startech.com/jp](http://startech.com/jp)