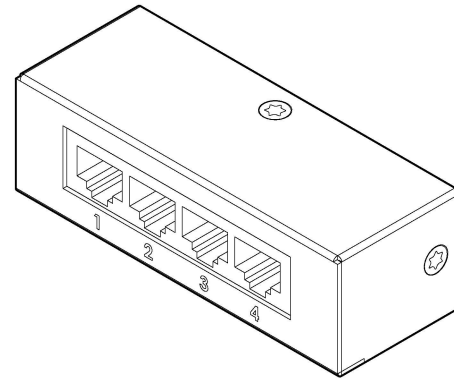


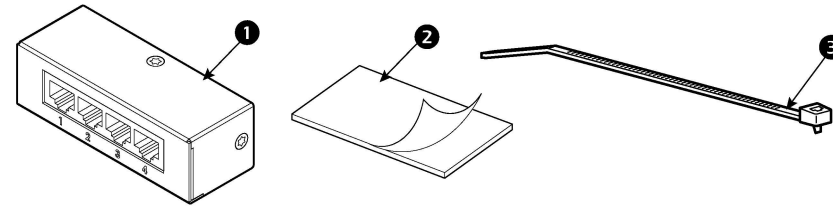


NetShelter Rack PDU Advanced Sensor Hub APDU1300

Installation

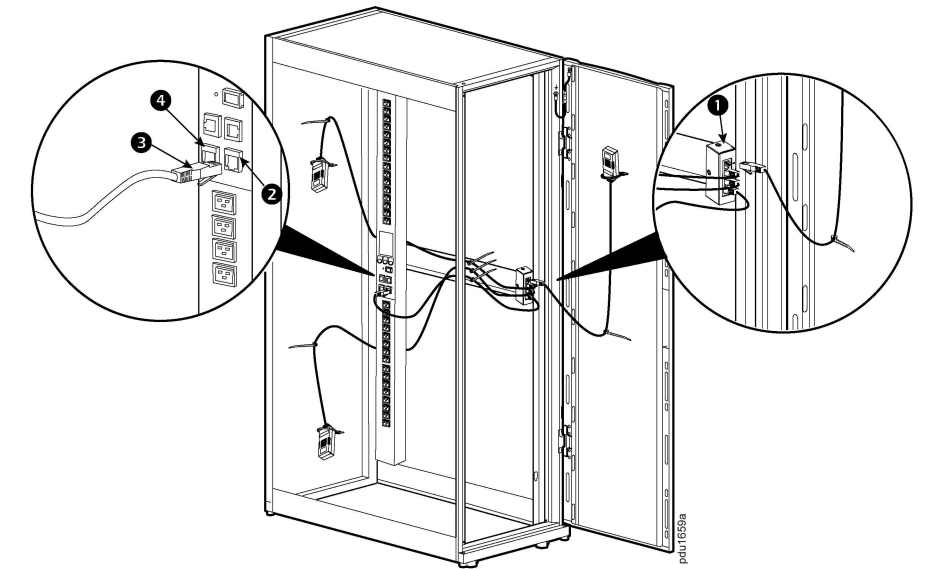


Inventory



1	Sensor Hub (Qty 1)
2	Double-sided Adhesive Mounting Tape (Qty 1)
3	Cable Ties (Qty 5)

Example: Sensor connections to the Sensor Hub and the NetShelter Rack PDU Advanced



Connect up to three (3) sensor cables with RJ45 connectors (not provided) to the Sensor Hub 1. Connect another RS-485 Cable (not provided), with RJ45 connectors 2 at each end, from the Sensor Hub 1 to Port 1 4 or Port 2 2 of the NetShelter Rack PDU Advanced.

NOTE: It may take a few minutes for the NetShelter Rack PDU Advanced to acknowledge the connection to the sensors.

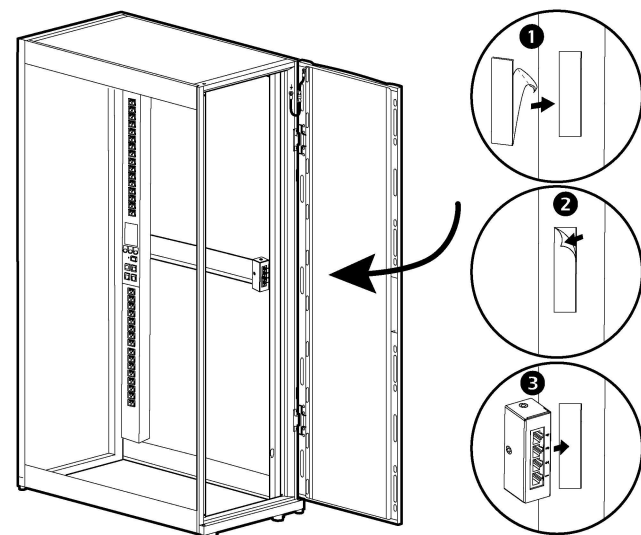
IMPORTANT INFORMATION

The Sensor Hub allows you to use multiple Temperature and Humidity sensors all monitored by a single NetShelter® Rack PDU Advanced.

NOTICE

The APDU1300 Sensor Hub can be used to connect the APDU1335T Temperature Sensor Assembly (not provided) or the APDU1335TH Temperature/Humidity Sensor Assembly (not provided) to your NetShelter Rack PDU Advanced. Connecting the APDU1335T3H Temperature/Humidity Sensor Assembly (not provided) to an APDU1300 Sensor Hub is not recommended.

Installation



Peel the protective cover material from one side of the Double-sided Adhesive Mounting Tape 1. Press the exposed adhesive on the Mounting Tape to your chosen installation location inside the rack. Peel the protective cover material from the other side of the Mounting Tape 2 and press the Sensor Hub to the exposed adhesive on the Mounting Tape 3.

4/2022

20916-066

© 2022 Schneider Electric. All rights reserved.

Worldwide Customer Support
Customer support and warranty information is available at
www.apc.com