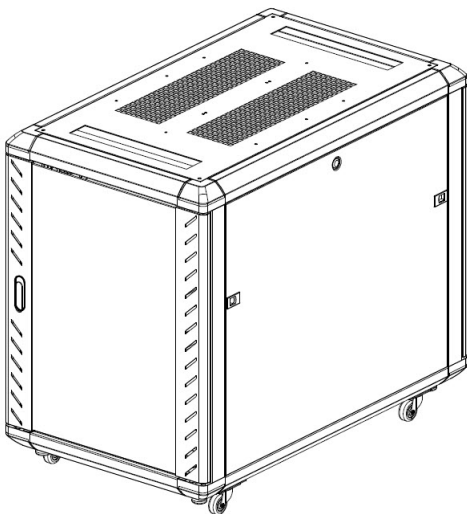


18U Knock-Down Server Rack Cabinet with Casters | 32 in. Deep



Actual product may vary from photos

User Manual **SKU#: RK1836BKF**

For the latest information and specifications visit
www.startech.com/RK1836BKF

Use of Trademarks, Registered Trademarks, and other Protected Names and Symbols

This manual may make reference to trademarks, registered trademarks, and other protected names and/or symbols of third-party companies not related in any way to StarTech.com. Where they occur these references are for illustrative purposes only and do not represent an endorsement of a product or service by StarTech.com, or an endorsement of the product(s) to which this manual applies by the third-party company in question. Regardless of any direct acknowledgement elsewhere in the body of this document, StarTech.com hereby acknowledges that all trademarks, registered trademarks, service marks, and other protected names and/or symbols contained in this manual and related documents are the property of their respective holders.

Warning Statements

- Make sure that you assemble this product according to the instructions.
- Do not exceed the weight capacity of this product. Overloading this product might result in injury or property damage. This product can support the following weight: Stationary = 1763.7 lb. (800 kg) Rolling = 330 lb. (150 kg).
- This product is intended for indoor use only and should not be used outdoors.
- This enclosure is extremely heavy. Never attempt to move or lift this enclosure without assistance.
- Tipping hazard! Extending multiple components from this enclosure increases the chance that the enclosure will tip over. To avoid this risk, do not extend more than one component from the enclosure.
- Do not place any items on this enclosure and do not stack the enclosure on top of another enclosure.
- Keep liquid away from this enclosure.
- Make sure that you install the enclosure in an area that can handle the combined weight of the enclosure and the equipment that you intend to place inside of the enclosure.
- This product requires an earth ground connection. Do not use this product without an earth ground connection.

Varningar

- Se till att du monterar produkten i enlighet med instruktionerna.
- Överskrid inte produktens vikt kapacitet. Överbelastning av denna produkt kan leda till skador eller skador på egendom. Denna produkt kan stödja följande vikt: stationär: 800 kg rullande: 150 kg.
- Produkten är endast avsedd för användning inomhus och ska inte användas utomhus.
- Detta skåp är extremt tungt. Försök aldrig flytta på skåpet eller lyfta det utan hjälp.
- Risk för vältnings! Att förlänga flera komponenter från detta skåp ökar risken för att det välter. Förläng inte fler än en komponent från skåpet för att undvika risk.
- Placera inte saker ovanpå skåpet och ställ inte skåpet ovanpå ett annat skåp.
- Håll vätskor borta från skåpet.
- Se till att du installerar skåpet på en plats som kan hantera den kombinerade vikten av skåpet och utrustningen som du tänker placera inuti.

- Produkten behöver en jordad anslutning. Använd inte produkten utan en jordad anslutning.

Avertissements

- Assemblez ce produit conformément aux instructions.
- Ne dépassez pas la capacité pondérale de ce produit. Une surcharge de ce produit peut entraîner des dommages corporels ou matériels. Ce produit peut supporter le poids suivant, stationnaire = 800 kg, roulant = 150 kg.
- Ce produit est uniquement destiné à une utilisation en intérieur et ne doit pas être utilisé à l'extérieur.
- Ce rack de serveur est extrêmement lourd. Ne tentez jamais de le déplacer ou de le soulever sans aide.
- Risque de basculement ! L'extension de plusieurs composants à partir du rack de serveur augmente le risque de basculement. Pour éviter ce risque, n'étendez pas plus d'un composant à partir du rack de serveur.
- Ne placez aucun objet sur ce rack de serveur et n'empilez pas le rack sur un autre rack.
- N'approchez aucun liquide du rack de serveur.
- Veillez à installer le rack de serveur dans un endroit pouvant supporter le poids combiné du rack et des équipements que vous comptez placer à l'intérieur.
- Ce produit nécessite un raccordement à la terre. N'utilisez pas ce produit sans raccordement à la terre.

Warnhinweise

- Beachten Sie bei der Montage dieses Produkts die Montageanweisungen.
- Überschreiten Sie nicht die Tragfähigkeit dieses Produkts. Das Überladen dieses Produkts kann zu Verletzungen oder Sachschäden führen. Dieses Produkt kann das folgende Gewicht tragen: Stationär = 800 kg, rollend = 150 kg.
- Dieses Produkt ist nur zum Gebrauch in Innenräumen vorgesehen und sollte nicht im Freien verwendet werden.
- Dieses Gehäuse ist extrem schwer. Versuchen Sie niemals, dieses Gehäuse ohne Hilfe zu bewegen oder anzuheben.
- Kippgefahr! Das Ausziehen mehrerer Komponenten aus diesem Gehäuse erhöht die Chance, dass das Gehäuse umkippt. Um dies zu vermeiden, ziehen Sie niemals mehr als eine Komponente aus diesem Gehäuse aus.

- Platzieren Sie keine Gegenstände auf dem Gehäuse und stapeln Sie das Gehäuse nicht auf einem anderen Gehäuse.
- Halten Sie Flüssigkeiten von diesem Gehäuse fern.
- Vergewissern Sie sich, dass der Untergrund, auf dem das Gehäuse aufgestellt wird, in der Lage ist, das Gesamtgewicht des Gehäuses und der Geräte, die Sie darin platzieren möchten, zu tragen.
- Dieses Produkt erfordert einen Schutzleiteranschluss. Verwenden Sie das Produkt nicht ohne einen Schutzleiteranschluss.

Dichiarazioni di avvertenza

- Assicurarsi di Assemblare il prodotto secondo le istruzioni.
- Non superare la capacità di carico massimo di questo prodotto onde evitare danni o lesioni alla proprietà. Questo prodotto e' in grado di supportare il peso riportato, Statico = 800 kg, Dinamico = 150 kg.
- Il prodotto è destinato all'uso in ambienti interni. Se ne sconsiglia l'impiego in ambienti esterni.
- Il box esterno è molto pesante. Non tentare di spostarlo o sollevarlo senza assistenza.
- Pericolo di ribaltamento! L'estensione di più componenti dal box esterno aumenta il rischio di ribaltamento del box esterno. Per evitare questo rischio, non estendere più di un componente dal box esterno.
- Non collocare oggetti sul box esterno e non impilare un box esterno sopra un altro.
- Tenere il box esterno lontano dai liquidi.
- Assicurarsi di installarlo in un punto che possa sorreggere il peso combinato del box esterno e dell'apparecchiatura che si intende collocare al suo interno.
- Il prodotto richiede una messa a terra. Non utilizzare il prodotto in assenza di una messa a terra.

Mensagens de aviso

- Certifique-se de que monta este produto de acordo com as instruções.
- Não exceda a capacidade de peso deste produto. Sobrecarregar este produto pode resultar em ferimentos ou danos à propriedade. Este produto pode suportar o seguinte peso: estacionário: 800 kg. Rolando: 150 kg.
- Este produto destina-se apenas a uma utilização no interior e não deve ser utilizado no exterior.
- Esta caixa é extremamente resistente. Nunca tente mover ou levantar esta caixa sem assistência.

- Perigo de queda! Estender vários componentes desta caixa aumenta a probabilidade desta caixa cair. Para evitar este risco, não expandir mais de um componente desta caixa.
- Não colocar nenhum artigo nesta caixa e não empilhar a caixa em cima de outra caixa.
- Manter líquidos afastados desta caixa.
- Certifique-se de que instala a caixa numa área que pode suportar o peso combinado da caixa e o equipamento que pretende colocar dentro da caixa.
- Este produto requer uma ligação à terra. Não utilize este produto sem uma ligação à terra.

Advertencias de uso

- Asegúrese de ensamblar este producto según las instrucciones.
- No exceda la capacidad de carga de este producto. El sobrecargarlo puede ocasionar lesiones y daños en propiedad. Este producto puede soportar el siguiente peso, Estacionario = 800 kg Rodante = 150 kg.
- El uso de este producto es solo para interiores y no debe utilizarse en exteriores.
- La caja es extremadamente pesada. Nunca intente mover o alzar esta caja sin la debida asistencia de otra persona.
- ¡Peligro de vuelco! Añadir a esta caja varios componentes aumenta las posibilidades de peligro de vuelco de la caja. Para evitar dicho riesgo, no añada más que un solo componente.
- No coloque ningún elemento encima de la caja y no apile la caja encima de otra caja.
- Mantenga cualquier líquido lejos de la caja.
- Asegúrese de instalar la caja en un área que tenga capacidad para soportar el peso combinado de la caja y el equipo que va a instalar dentro de la misma.
- Este producto requiere conexión a tierra. No utilice este producto sin conexión a tierra.

Waarschuwingen

- Zorg dat u dit product volgens de instructies in elkaar zet.
- Overschrijd de maximale capaciteit van dit product niet. Overbelasting De maximale gewichtscapaciteit mag niet overschreden worden. Overbelasting kan kan letsel of schade tot gevolg hebben. Dit product kan het volgende gewicht ondersteunen, stationair = 800 kg. rollend = 150 kg.

- Dit product is alleen bedoeld voor binnengebruik en mag niet buiten worden gebruikt.
- Deze behuizing is enorm zwaar. Probeer nooit deze behuizing te verplaatsen of op te tillen zonder hulp.
- Kantelgevaar! Wanneer meerdere componenten uit deze behuizing steken, bestaat de kans dat deze zal kantelen. Om dit risico te voorkomen, mag niet meer dan één component uit de behuizing steken.
- Plaats geen voorwerpen op deze behuizing en stapel de behuizing niet op een andere behuizing.
- Houd vloeistof uit de buurt van deze behuizing.
- Zorg dat u de behuizing installeert op een plaats die geschikt is voor het gecombineerde gewicht van de behuizing en de apparatuur die u in de behuizing wilt plaatsen.
- Dit product vereist een geaarde verbinding. Gebruik dit product niet zonder een geaarde verbinding.

注意

- 必ず取扱説明書に従って本製品の組み立てを行って下さい。
- 本製品で定められた可搬重量を超えないようにして下さい。規定された重量を超えた場合、怪我や物的損害が発生することがあります。本製品は次の可搬重量に対応しています。[キャスト静止時] = 800 kg、[キャスト動作時] = 150 kg
- 本製品は、室内での使用を想定しています。戸外では使用しないで下さい。
- 本製品は、非常に重いエンクロージャです。絶対に一人で持ち上げたり動かしたりしないで下さい。
- 転倒注意! 本製品から複数のコンポーネントが突き出した状態にしておくとうエンクロージャが転倒する恐れがあります。転倒リスクを回避するために、エンクロージャからはコンポーネントが突き出ないようにして下さい。
- 本製品の上に何も載せないで下さい。複数のエンクロージャを重ねて設置しないで下さい。
- 液体物をエンクロージャに近づけないようにして下さい。
- エンクロージャ自身と中に積載する装置の総重量に耐えられるエリアに

設置して下さい。

- この製品にはアースが必要です。アース接続をしていない状態で本製品を使用しないでください。

Safety Statements

Safety Measures

- Cables (including power and charging cables) should be placed and routed to avoid creating electric, tripping or safety hazards.

Mesures de sécurité

- Les câbles (y compris les câbles d'alimentation et de chargement) doivent être placés et acheminés de façon à éviter tout risque électrique, de chute ou de sécurité

安全対策

- ケーブル(電源ケーブルと充電ケーブルを含む)は、適切な配置と引き回しを行い、電気障害やつまづきの危険性など、安全上のリスクを回避するようにしてください。

Misure di sicurezza

- I cavi (inclusi i cavi di alimentazione e di ricarica) devono essere posizionati e stesi in modo da evitare pericoli di inciampo, rischi di scosse elettriche o pericoli per la sicurezza.

Säkerhetsåtgärder

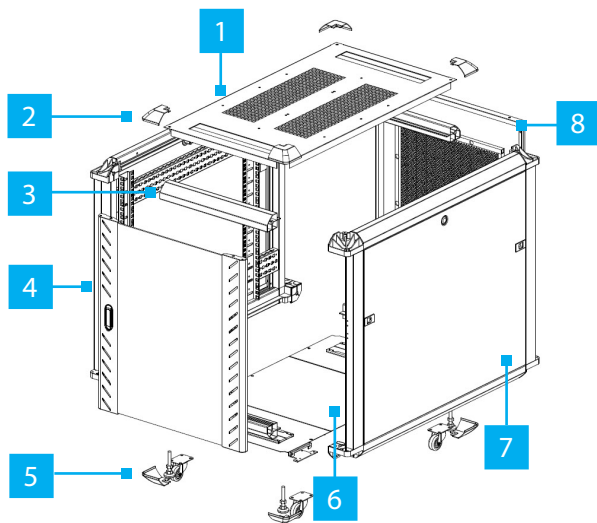
- Kablar (inklusive elkablar och laddningskablar) ska dras och placeras på så sätt att risk för snubblingsolyckor och andra olyckor kan undvikas.

Table of Contents

Warning Statements	2
Safety Statements	8
Product Diagram	10
Front View	10
Product Dimensions	11
Front.....	11
Side.....	12
Product Information	13
Package Contents	13
Requirements.....	14
Assembling the Server Rack	15
Leveling the Server Rack	18
Grounding the Enclosure	19
Installing Equipment	19
Adjusting the Mounting Rails	20

Product Diagram

Front View

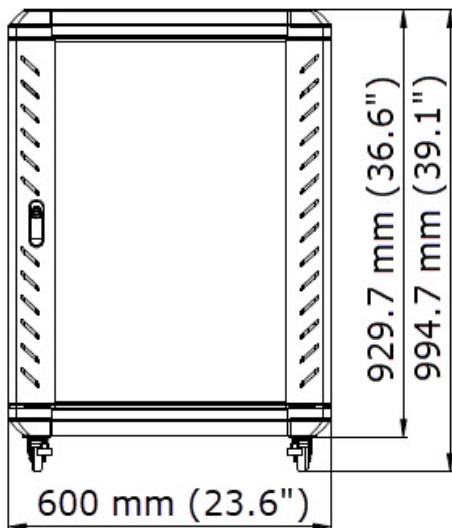


1	<i>Top Panel</i>	5	<i>Caster/Leveling Feet</i>
2	<i>Plastic Corner Caps</i>	6	<i>Bottom Panel</i>
3	<i>Center Beam</i>	7	<i>Side Panel</i>
4	<i>Front Door</i>	8	<i>Rear Door</i>

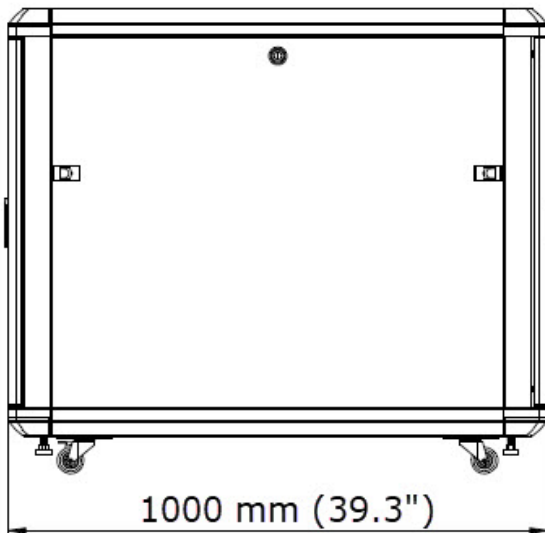
To view manuals, videos, drivers, downloads, technical drawings, and more visit www.startech.com/support

Product Dimensions

Front



Side



Product Information

Package Contents

- Side Panels x 2
- Center Beams x 4
- Bottom Panels w/ Cable Management Slot x 2
- Bottom Panel x 1
- Front Door x 1
- Rear Door x 1
- Plastic Corner Caps x 8
- M8 x 20 mm Hex Screws x 8
- M8 Spring Washers x 8
- M4 x 10 mm Flat Head Screws x 8
- M6 x 12 mm Hex Screws x 4
- M5 x 12 mm Screws x 6
- M6 Hex Key x 1
- M8 Hex Key x 1
- M6 x 12 mm Phillips Screws x 24
- M6 Cage Nuts x 24
- M6 Plastic Cap Washers x 24
- Casters x 2
- Caster w/Brakes x 2
- M6 x 10 mm Phillips Bolts x 16
- Leveling Feet x 4
- Door Keys x 2

- Side Panel Keys x 2
- Phillips Head Screwdriver x 1
- Door Hinge Pin x 2

Requirements

- Spirit/Bubble Level x 1
- 14 mm Wrench x 1
- (Optional) Cage Nut Tool x 1

Assembling the Server Rack

1. Align the **Screw Holes** on the corners of the **Side Panel** with the **Screw Holes** on the ends of the **Center Beam**. Ensure that the **Lip** on the **Center Beams** lines up with the **Lip** on the inner side of the **Side Panel**.
2. Slide an **M8 Spring Washer** over the **M8 x 20 mm Hex Screw**.
3. Insert the **M8 x 20 mm Hex Screws** through the **Screw Hole** on the **Side Panel** and into the **Screw Holes** on the **Center Beam**.
4. Using the **M8 Hex Key** tighten the **M8 x 20 mm Hex Screws**, being careful not to over-tighten.
5. Repeat steps 1 - 4 to install the other **Side Panel** and the remaining **Center Beams**.
6. Turn the **Server Rack** upside down, resting the **Server Rack** on it's top.
7. Align the **Mounting Holes** on the **Casters** with the **Mounting Holes** in the corner of the **Server Rack Frame**.
8. Insert an **M6 x 10 mm Screw** through the **Mounting Hole** on the **Caster** and into the **Mounting Hole** on the **Server Rack Frame**.
9. Using a **Phillips Head Screwdriver**, tighten the **M6 x 10 mm Screw**, being careful not to over-tighten.
10. Repeat steps 1 - 4 to install the other **Caster** and **Casters with Brakes**.

11. Align the **Leveling Feet** with the **Pre-Threaded Holes** on the bottom of the **Server Rack Frame**.
12. Using a **14 mm Wrench**, tighten the **Leveling Feet** so that the four **Leveling Feet** are all at the same height and are shorter than the height of the **Casters**.
13. Align the **Notch** in the **Plastic Corner Caps** (x 4) with the **Screw Hole** on each of the corners on the **Server Rack**.
14. Insert an **M4 x 10 mm Flat Head Screw** through the **Screw Holes** in the **Plastic Corner Cap** and into the **Screw Hole** on the **Server Rack**. Make sure that the head of the **M4 x 10 mm Flat Head Screw** is securing the **Plastic Corner Cap** in place.
15. Using a **Phillips Head Screwdriver**, tighten the **M4 x 10 mm Flat Head Screws**, being careful not to over-tighten.
16. Turn the **Server Rack** back over onto the **Casters**.
17. Align the **Notch** in the **Plastic Corner Caps** (x 4) with the **Screw Hole** on each of the corners on the **Server Rack**.
18. Insert an **M4 x 10 mm Flat Head Screw** through the **Screw Holes** in the **Plastic Corner Cap** and into the **Screw Hole** on the **Server Rack**. Make sure that the head of the **M4 x 10 mm Flat Head Screw** is securing the **Plastic Corner Cap** in place.
19. Using a **Phillips Head Screwdriver**, tighten the **M4 x 10 mm Flat Head Screws**, being careful not to over-tighten.

20. Align the **Screw Holes** on the **Bottom Plate w/ Cable Management Slot** with the **Screw Holes** on the interior of the **Side Panel**, located on the front and back on the **Side Panel**.
21. Insert two **M6 x 12 mm Phillips Screws** through the **Screw Holes** on the **Bottom Plate w/ Cable Management Slot** and into the **Screw Holes** on the interior of the **Side Panel**.
22. Using a **Phillips Head Screwdriver**, tighten the **M6 x 12 mm Phillips Screws**, being careful not to over-tighten.
23. Repeat steps 8 - 10 to install the **Back** and **Middle Bottom Plates**.

Note: *Install the **Back Bottom Plate** before you install the **Middle Bottom Plate**.*

24. On the top of the **Server Rack**, align the **Screw Holes** in the four corners on the **Top Panel** with the **Screw Holes** in the four corners on the top of the **Server Rack Frame**.

Note: *The **Top Panel** should fit tightly against the corner piece of the **Top** of the **Server Rack**.*

25. Insert an **M6 x 12 mm Hex Screw** through the **Screw Hole** on the **Top Panel** and into the **Screw Hole** on the **Server Rack Frame**.
26. Using the **M6 Hex Key**, tighten the **M6 x 12 mm Hex Screw**, Being careful not to over-tighten.
27. Repeat steps 13 - 14 for the remaining corners.
28. Insert a **Door Hinge Pin** into the **Hinge Pin Hole** in the bottom corner of the **Side Panel**.

29. Angle the bottom corner of the **Front Door** towards the **Door Hinge Pin**.
30. Insert the **Door Hinge Pin** into the bottom **Hinge Pin Hole** on the **Front Door**.
31. In the top corner on the **Front Door**, pull the **Spring-Loaded Hinge Pin** down.
32. While holding down the **Spring-Loaded Hinge Pin**, angle the top corner of the **Front Door** towards the top corner of the **Server Rack**, aligning the **Spring-Loaded Hinge Pin** with the **Hinge Pin Hole**.
33. Release the **Spring-Loaded Hinge Pin** into the **Hinge Pin Hole**.
34. Repeat steps 16 - 18 to install the **Rear Door**.

Leveling the Server Rack

The **Server Rack** will need to be properly level prior to installing any rack equipment, to ensure stability. The surface the **Server Rack** is located on must also be a flat, level surface in order to support the combined weight of the **Server Rack** and rack equipment installed.

1. Determine the location of the **Server Rack**. Use a **Spirit/Bubble Level** to ensure that the location's surface is a flat, level surface.

- Using an **14 mm Open-Ended Wrench**, lower the **Leveling Feet** (4 located next to each **Casters**) by turning it clockwise until the base of the **Leveling Feet** are tightly pressed against the surface, supporting the weight of the **Server Rack**.

Grounding the Enclosure

Note: *This product must be grounded. Do not use this product without an earth ground connection.*

- Use an **M6 Screw** to attach a grounding wire to the grounding point on the **Server Rack**, located on the inside of the bottom of the **Front** and **Back Doors** and inside the **Side Panels**.
- Route the wire under the frame of the enclosure and connect the wire to your facility's earth ground connection.

Installing Equipment

Note: *When you load equipment into this product, load the heaviest equipment in the bottom rails first. Continue loading equipment in a descending order of weight, so that the lighter equipment is installed in the upper sections of the enclosure and the heavier items are on the bottom.*

This **Server Rack** comes with **M6 Cage Nuts** and **Screws** but the equipment you're installing may come with mounting hardware. Consult the documentation that came with the equipment to determine the best mounting hardware that you should use and how you should install it.

1. Decide where in the **Server Rack** you want to install the equipment and insert the **M6 Cage Nuts** in the **Mounting Rails**.
2. Line up the **Mounting Holes** on the equipment with the **M6 Cage Nuts**.
3. Insert the **Screws** through the **Mounting Holes** on the equipment and into the **M6 Cage Nuts**.
4. Using a **Phillips Head Screwdriver** tighten the **Screws**, being careful not to over-tighten.

Adjusting the Mounting Rails

1. Each **Mounting Rail** has four **M6 Screws** securing the **Mounting Rail** to two **Depth Adjustment Rails**. Two **M6 Screws** are located at the top and two **M6 Screws** are located at the bottom of a **Mounting Rail**.
2. Using a **Phillips Head Screwdriver**, remove the four **M6 Screws** and
3. Remove the **Cage Nuts** from the **Depth Adjustment Rails**, by pinching the two **Prongs** on the back of the **Cage Nut** inwards.

Note: Use a **Cage Nut Tool** (sold separately), If you are having trouble removing the **Cage Nuts** from the **Depth Adjustment Rails**.

4. Slide the **Mounting Rail** along the **Depth Adjustment Rails** until you have reached the desired mounting depth.

Notes: The distance between each of the **Mounting Rail Adjustment Hole** is $7/8$ inch.

5. Insert the **Cage Nuts** into the **Square Mounting Holes** on the **Depth Adjustment Rails**. Insert one side of the **Cage Nut** into the **Square Mounting Hole** and push the other side into the **Square Mounting Hole**, until it locks into place.

Note: Use a **Cage Nut Tool** if you are having issues installing the **Cages Nuts** into the **Depth Adjustment Rails**.

6. Insert the **M6 Screws** through the **Mounting Rail** and into the **Depth Adjustment Rails**.
7. Using a **Phillips Head Screwdriver** to tighten the **M6 Screws**. Be careful not to over-tighten the **M6 Screws**.

Warranty Information

This product is backed by a lifetime warranty.

For further information on product warranty terms and conditions, please refer to www.startech.com/warranty.

Limitation of Liability

In no event shall the liability of StarTech.com Ltd. and StarTech.com USA LLP (or their officers, directors, employees or agents) for any damages (whether direct or indirect, special, punitive, incidental, consequential, or otherwise), loss of profits, loss of business, or any pecuniary loss, arising out of or related to the use of the product exceed the actual price paid for the product.

Some states do not allow the exclusion or limitation of incidental or consequential damages. If such laws apply, the limitations or exclusions contained in this statement may not apply to you.

Hard-to-find made easy. At StarTech.com, that isn't a slogan. It's a promise.

StarTech.com is your one-stop source for every connectivity part you need. From the latest technology to legacy products — and all the parts that bridge the old and new — we can help you find the parts that connect your solutions.

We make it easy to locate the parts, and we quickly deliver them wherever they need to go. Just talk to one of our tech advisors or visit our website. You'll be connected to the products you need in no time.

Visit www.startech.com for complete information on all StarTech.com products and to access exclusive resources and time-saving tools.

StarTech.com is an ISO 9001 Registered manufacturer of connectivity and technology parts. StarTech.com was founded in 1985 and has operations in the United States, Canada, the United Kingdom and Taiwan servicing a worldwide market.

Reviews

Share your experiences using StarTech.com products, including product applications and setup, what you love about the products, and areas for improvement.

StarTech.com Ltd.

45 Artisans Cres.
London, Ontario
N5V 5E9
Canada

FR: startech.com/fr
DE: startech.com/de

StarTech.com LLP

2500 Creekside Pkwy.
Lockbourne, Ohio
43137
U.S.A.

ES: startech.com/es
NL: startech.com/nl

StarTech.com Ltd.

Unit B, Pinnacle
15 Gowerton Rd.,
Brackmills
Northampton
NN4 7BW
United Kingdom

IT: startech.com/it
JP: startech.com/jp